

M12 male 0° D-cod. IDC4-pol., 0,14 - 0,34mm², 4,5 - 8,8mm, shielded

Art.No.: 7000-14521-0000000

Weight: 0.054 kg

Country of origin: RO

Model designation: MSDAL0-AC-T D-CODE MOSA

Ethernet CAT5

Male straight

M12, 4-pole

D-coded

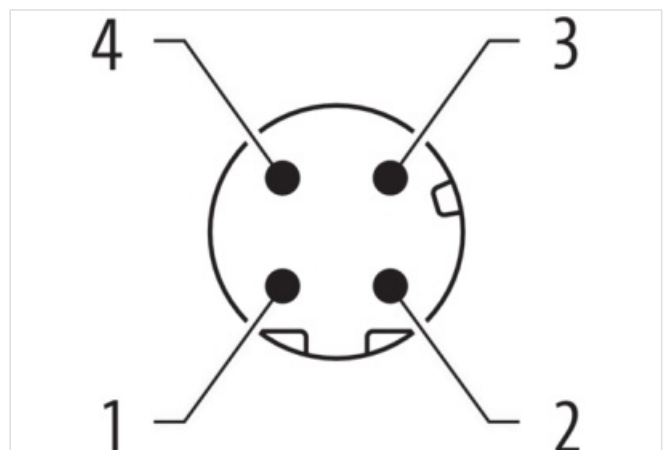
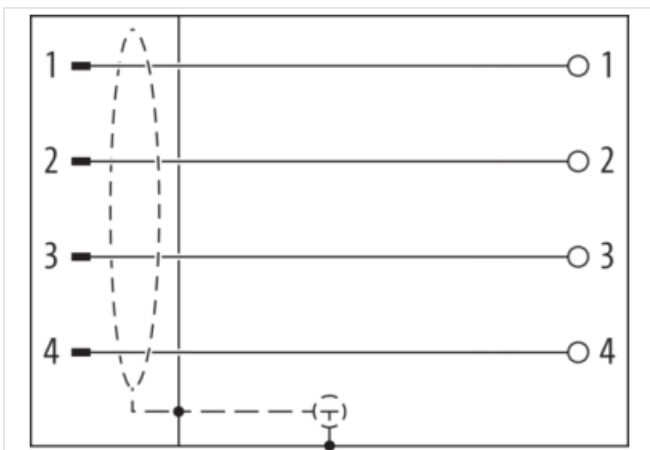
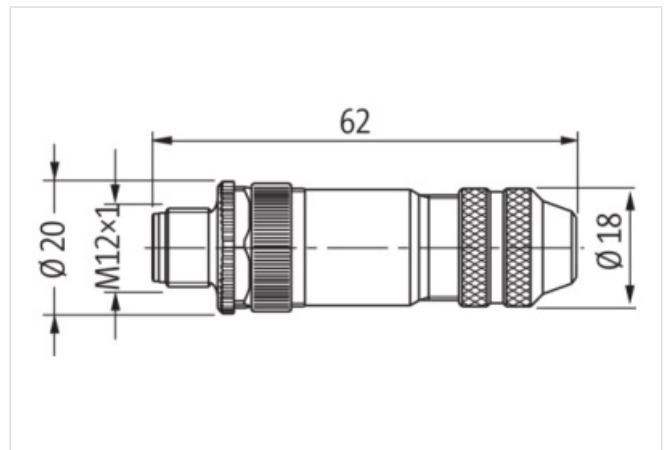
MOSA

IDC terminals

Shielded

Sealing range (cable Ø): 4.5...8.8 mm

good resistance to oil and chemicals

[Link to Product](#)**Illustration**

Product may differ from Image



Side 1	
Family construction form	M12
No. of poles	4
Coding	D
Gender	male
Mounting method	inserted, screwed
Threaded hole	M12 x 1
Tightening torque	0,6 Nm
Width across flats	SW17
Cable outlet	straight
Degree of protection (EN IEC 60529)	IP67, IP65
Commercial data	
URL Webshop	https://shop.murrelektronik.com/7000-14521-0000000
customs tariff number	85366990
EAN	4048879197489
Packaging unit	1
customs tariff number	85366990
EAN	4048879197489
Packaging unit	1
Electrical data Supply	
Operating voltage AC max.	50 V
Operating voltage DC max.	50 V
Current operating per contact max.	4 A
Industrial Communication	
Data transmission rate max.	100 Mbit/s
Transfer parameters	CAT5, Class D (ISO/IEC 11801:2002), (EN 50173-1)
Industrial communication Ethernet functionality	
duplex	Full duplex
Installation	
Connection cross section min.	0,14 mm ²
Connection cross section max.	0,34 mm ²
Installation Connection	
Tightening torque	0,6 Nm
Device protection Electrical	
Additional condition protection degree	inserted, screwed
Mechanical data Material data	
Locking material	Zinc die-casting
Coating locking	Nickel
Mechanical data Mounting data	
Mounting method	inserted, screwed, Shaking protection
Clamping range min.	4,5 mm
Clamping range max.	8,8 mm
Environmental characteristics Climatic	
Operating temperature min.	-40 °C
Operating temperature max.	85 °C
Important installation notes	
Note on bending radius	Attention: Observe the permissible bending radii when laying cables, as the IP protection class can be endangered by excessive bending forces.
Note on strain relief	Protect the connectors by suitable measures from mechanical loads, e.g. by the usage of cable ties.
Conformity	

Product standard	EN 45545-2, EN 50155, EN IEC 61076-2-101 (M12)
Shock and vibration resistance	EN/IEC 61373
Fire protection	EN 45545-2, HL1-HL3, requirement sets R22, R23, R24