

**M12 male 90° A-cod. screw terminal**4-pol., max. 0,75mm<sup>2</sup>, 4 - 6mm

Art.No.: 7000-12821-0000000

Weight: 0.023 kg

Country of origin: DE

Model designation: MSC-T7

Male 90°

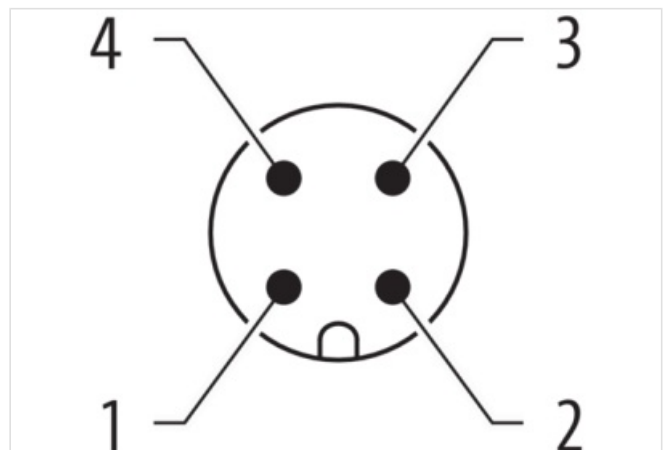
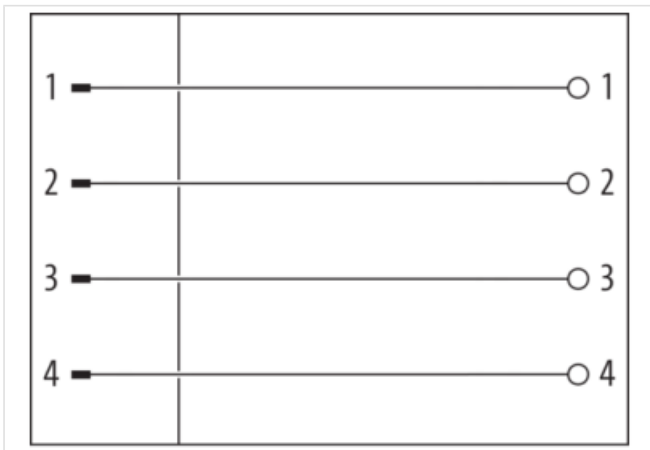
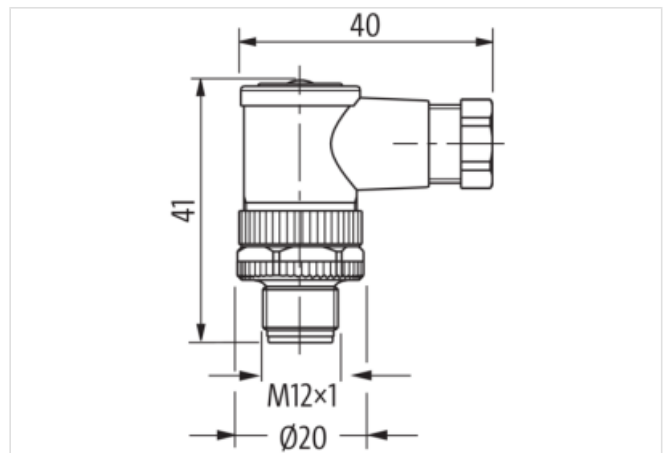
M12, 4-pole

Screw terminals

Sealing range (cable Ø): 4...6 mm

Plastic housings with good resistance against chemicals and oils.

The resistance to aggressive media should be individually tested for your application. Further details on request.

**[Link to Product](#)****Illustration**

Product may differ from Image

**Header**

Material short text

MSC-T7

**Side 1**

Family construction form	M12
No. of poles	4
Coding	A
Gender	male
Mounting method	pluggable, inserted
Threaded hole	M12 x 1
Tightening torque	0,6 Nm
Width across flats	SW18
Degree of protection (EN IEC 60529)	IP67

**Side 2**

Mounting method	Field-wireable
-----------------	----------------

**Commercial data**

URL Webshop	<a href="https://shop.murrelektronik.com/7000-12821-0000000">https://shop.murrelektronik.com/7000-12821-0000000</a>
GTIN	4048879201605
ECLASS-6.0	27279221
ECLASS-6.1	27260702
ECLASS-7.0	27440102
ECLASS-7.1	27440102
ECLASS-8.0	27440102
ECLASS-8.1	27440102
ECLASS-9.0	27440116
ECLASS-9.1	27440106
ECLASS-10.0.1	27440106
ECLASS-10.1	27440102
ECLASS-11.0	27440106
ECLASS-11.1	27440102
ECLASS-12.0	27440116
ECLASS-13.0	27440106
ECLASS-14.0	27440106
ETIM-5.0	EC002635
ETIM-6.0	EC002635
ETIM-7.0	EC002635
ETIM-8.0	EC002635
customs tariff number	85366990
EAN	4048879201605
Packaging unit	1

**Electrical data | Supply**

Operating voltage AC max.	250 V
Operating voltage DC max.	250 V
Current operating per contact max.	4 A

**Diagnostics**

Status indication LED	No
-----------------------	----

**Installation**

Rotation option	90° (4 outlet directions)
Connection cross section max.	0,75 mm²

**Installation | Connection**

Tightening torque	0,6 Nm
-------------------	--------

**Installation | Pin assignment**

Configuration	partly used
---------------	-------------

**Device protection | Electrical**

Additional condition protection degree      inserted, screwed

**Mechanical data | Mounting data**

Height	41 mm
Width	41 mm
Depth	20 mm
Mounting method	inserted, screwed, Shaking protection
Clamping range min.	4 mm
Clamping range max.	6 mm

**Environmental characteristics | Climatic**

Operating temperature min.	-40 °C
Operating temperature max.	85 °C

**Important installation notes**

Note on bending radius	<b>Attention:</b> Observe the permissible bending radii when laying cables, as the IP protection class can be endangered by excessive bending forces.
Note on strain relief	Protect the connectors by suitable measures from mechanical loads, e.g. by the usage of cable ties.