

# S5N



## EXTENDED RANGE OF STANDARD “ONE FOR ALL” PHOTOELECTRIC TUBULAR M18 SENSORS

- All optic functions
- Improved EMI immunity
- Improved ambient light immunity
- Improved laser safety level
- M18 flat plastic with universal mounting
- Short plastic housing models
- Available in M18 metal housing
- Stainless steel housing models
- Axial or radial optics, cable or connector
- Standard 4-wire NO-NC NPN or PNP output
- M12 pigtail models available
- IO-Link connectivity V1.1 with double channel

### APPLICATIONS

- Processing and Packaging machinery
- Conveyor lines, material handling
- Ceramics intralogistics
- Automated warehousing



(\*) Stainless steel models. ATEX II 3DG

S5N		
<b>Through beam</b>		0...25 m (S5N-PP/NN; S5N-Px/Mx...PK/NK models) 0...20 m (S5N-SA/NA models) 0...60 m (class 1 LASER S5N...PP/NN models)
<b>Retroreflective (on R2 reflector)</b>		0,1...4 m (S5N-PP/NN; S5N-Px/Mx...PK/NK models)
<b>Polarized retroreflective (on R2 reflector)</b>		0,1...3m (S5N-Px/Mx...PK/NK models) 0,1...4 m (S5N...PP/NN; S5N-SA/NA models) 0,1...16 m (class 1 LASER S5N...PP/NN models)
<b>Retroreflective for transparent (on R2 reflector)</b>		0,1...0,8 m (S5N-SA/NA) 0,1...1,3 m (S5N...PP/NN models)
<b>Diffuse proximity</b>		short distance 0...100 mm (all models) medium distance 0...400 mm (S5N...PP/NN models) medium distance 0...350 (S5N-SA/NA models) medium distance 0...450 (S5N-Px/Mx...PK/NK models) long distance 0...700 ammm (S5N...PP/NN models) long distance Laser 0...350 mm (S5N...PP/NN models)
<b>Fixed focus</b>		50 mm (S5N-SA/NA models) 100 mm (S5N...PP/NN models)
<b>Background suppression</b>		40...120 mm (S5N-SA/NA models) 50...150 mm (S5N...PP/NN models)
<b>Through beam with fiber optic</b>		0...100 mm (S5N...PP/NN models)
<b>Diffuse proximity with fiber optic</b>		0...30 mm (S5N...PP/NN models)
<b>Contrast sensor</b>		10 ±2 mm (S5N...PP/NN models)
<b>Luminescence sensor</b>		0...20 mm (S5N...PP/NN models)
<b>Power supply</b>	Vdc	10...30 V
	Vac	
	Vac/dc	
<b>Output</b>	PNP	•
	NPN	•
	NPN/PNP	
	relay	
	other	IO-Link v 1.1
<b>Connection</b>	cable	•
	connector	•
	pig-tail	•
<b>Approximate dimensions (mm)</b>		M18 x (see mechanical drawings)
<b>Housing material</b>		PBT, Nickel plated Brass (S5N-PP/NN; S5N-Px/Mx...PK/NK models) ABS, AISI 316 L Stainless steel inox (S5N-SA/NA models)
<b>Mechanical protection</b>		IP67 (S5N-PP/NN; S5N-Px/Mx...PK/NK models) IP65 - IP67 - IP69K (S5N-SA/NA)

# TECHNICAL DATA

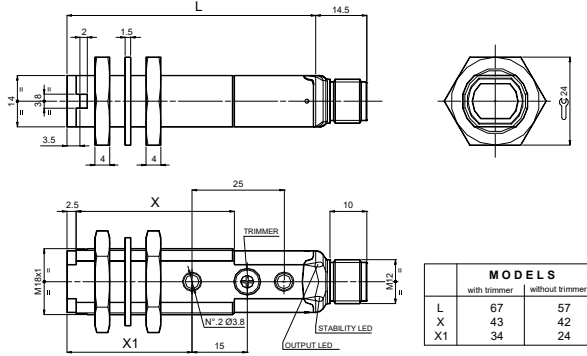
<b>Power supply</b>	10 ... 30 Vdc (limit values all models)
<b>Ripple</b>	2 Vpp max. (all models)
<b>Consumption (output current excluded)</b>	35 mA max. (all models)
<b>Light emission</b>	red LED 630 nm (mod. S5N...D00/E01, S5N-PA/MA...M03) red LED 660 nm (mod. S5N...B01...PP/NN/PK/NK; S5N...T01...PP/NN) - (mod. S5N-SA/NA...B/D/T/M) red LED 670 nm (mod. S5N-PS/MS...M03...PP/NN) IR LED 880 nm - (mod. S5N-Px/Mx...A00/C01/C10/C21/G00...PP/NN/PK/NK) - (mod. S5N-SA/NA...A/C/G) white LED 400-700 nm (mod. S5N...W03...PP/NN) UV LED 370 nm (mod. S5N...U03...PP/NN) red Laser 650 nm (mod. S5N-PH/PL...G00/B01/C01...PP/NN)
<b>Setting</b>	sensitivity trimmer 270° and without trimmer model (see mech drawings) 4 turns sensitivity trimmer (mod. S5N-Px/Mx...M01...PK/NK) teach-in push-button (mod. S5N...M03/W03/U03...PP/NN)
<b>Operating mode</b>	LIGHT mode on N.O. output / DARK mode on N.C. output (mod.S5N...C01/C10/C21/D00/M03/U03...PP/NN) DARK mode on N.O. output / LIGHT mode on N.C. output (mod.S5N...A00/B01/E01/F01/T01/W03...PP/NN) L/D input white wire or pin 2, if pin not connected on S5N-Px/Mx...PK/NK: LIGHT mode (mod. S5N-Px/Mx...C/D/M...PK/NK) DARK mode (mod. S5N-Px/Mx...A/B/T/F...PK/NK) white wire or pin 2 connected to: 0 V DARK mode, +Vcc LIGHT mode
<b>Indicators</b>	yellow OUTPUT LED (S5N, excl. mod. G00) green STABILITY LED (mod. S5N...B01/C01/C21/E01/F01/W03/U03), POWER LED (mod. S5N...G00) green/red READY/ERROR LED (mod. S5N...M03...PP/NN)
<b>Output</b>	PNP or NPN; NO; NC (mod. S5N...PP/NN) PNP or NPN (mod. S5N-Px/Mx...PK/NK) IO-Link v 1.1 (mod.S5N...OZ)
<b>IO-Link interface</b>	(mod.S5N...OZ) v 1.1, com 2, 38,4 kBAud, 32 bit process data, 5 ms cycle time LED emission model, 8 ms cycle time LASER emission model
<b>Output current</b>	100 mA max. (all models)
<b>Saturation voltage</b>	2 V max. (all models)
<b>Response time</b>	0,5 ms (mod. S5N...A00/B01/T01/C10/C21/C01/D00/E01/U03...PP/NN) - (mod. S5N-Px/Mx...D00...PK/NK) 2 ms (mod. S5N...F01/G00...PP/NN) - (mod. S5N-Px/Mx...F00...PK/NK) 1 ms (mod. S5N...M03...PP/NN) - (mod. S5N-Px/Mx...A/B/C/T/M...PK/NK) 100 µs (mod. S5N...W03...PP/NN) 333 µs (mod. S5N-PH/PL...PP/NN Laser emission models)
<b>Switching frequency</b>	1 kHz (mod. S5N...A00/B01/T01/C10/C21/C01/D00/E01/U03...PP/NN) - (mod. S5N-Px/Mx...D00...PK/NK) 250 Hz (mod. S5N...F01/G00...PP/NN) - (mod. S5N-Px/Mx...F00...PK/NK) 500 Hz (mod. S5N...M03...PP/NN) - (mod. S5N-Px/Mx...A/B/C/T/M...PK/NK) 100 µs (mod. S5N...W03...PP/NN) 333 µs (mod. S5N...PP/NN Laser emission models)
<b>Connection</b>	M12 4-pole connector, 2 m cable Ø 4 mm, 150 mm length Ø 4 mm cable with M12 4-pole connector
<b>Dielectric strength</b>	500 Vac, 1 min between electronics and housing
<b>Insulating resistance</b>	>20 MΩ, 500 Vdc between electronics and housing
<b>Electrical protection</b>	class 2
<b>Mechanical protection</b>	IP67 (S5N-PP/NN; S5N-Px/Mx...PK/NK models) IP65 - IP67 - IP69K (S5N-SA/NA)
<b>Ambient light rejection</b>	according to EN 60947-5-2
<b>Vibrations</b>	0,5 mm amplitude, 10 ... 55 Hz frequency, for every axis (EN60068-2-6)
<b>Shock resistance</b>	11 ms (30 G) 6 shock for every axis (EN60068-2-27)
<b>Housing material</b>	PBT, Nickel plated Brass (S5N-Px/Mx...PP/NN/PK/NK models) ABS, AISI 316 L Stainless steel inox (S5N-SA/NA models)
<b>Lens material</b>	PMMA (all models)
<b>Operating temperature</b>	-25 ... 55 °C (Laser mod.) -10 ... 50 °C
<b>Storage temperature</b>	-25 ... 70 °C
<b>Weight</b>	Plastic version 75 g max. cable vers. (90 g max. mod. M03), 25 g max. conn. vers. (40 g max. mod. M03) Metal version 110 g max. cable vers. (125 g max. mod. M03), 60 g max. conn. vers. (75 g max. mod. M03)

# DIMENSIONS

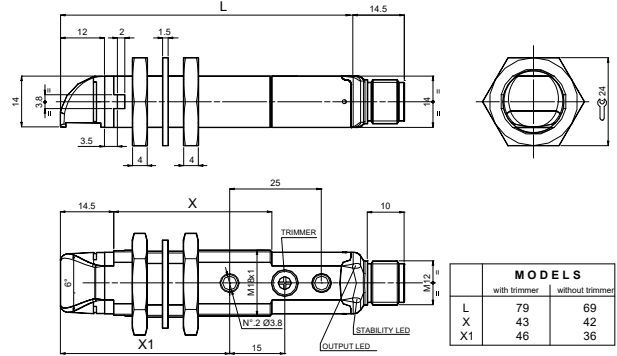
## S5N...NN/PP MODELS

### PLASTIC

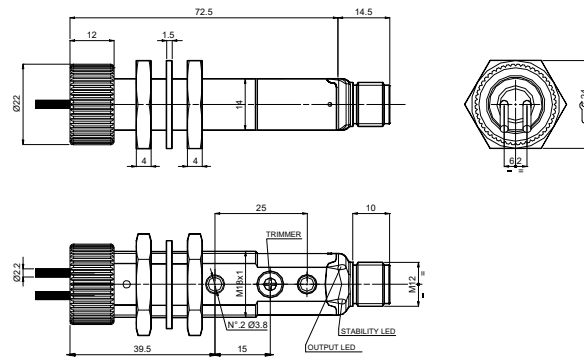
#### AXIAL VERSION



#### RADIAL VERSION

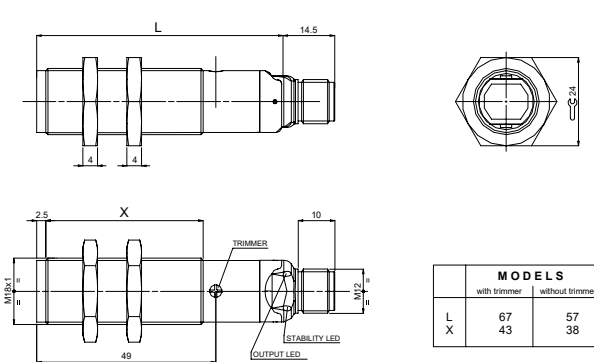


#### FIBRE OPTIC VERSION

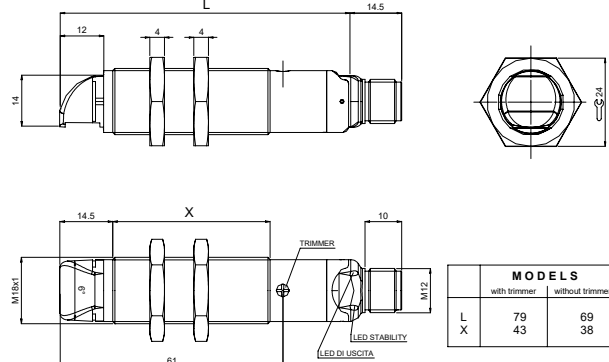


### METAL

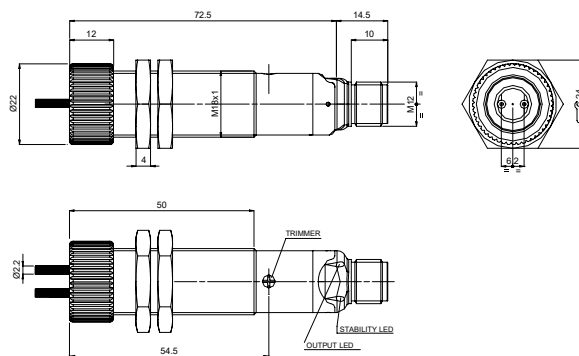
#### AXIAL VERSION



#### RADIAL VERSION

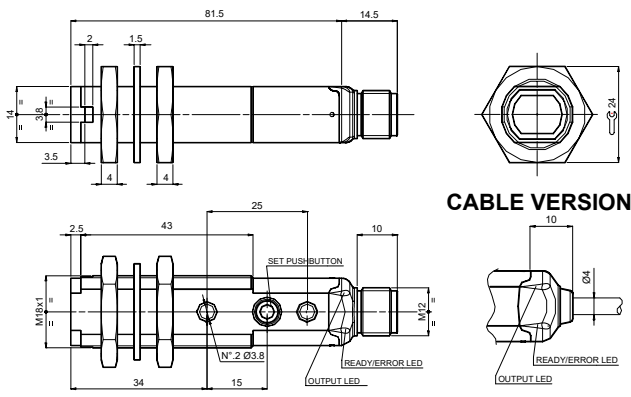


#### FIBRE OPTIC VERSION

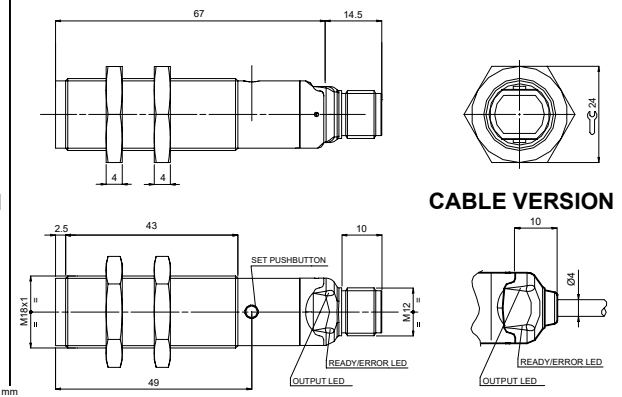


## BACKGROUND SUPPRESSION AXIAL VERSION

### PLASTIC

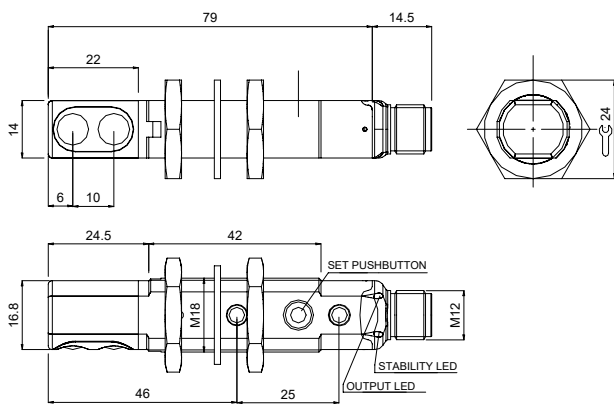


### METAL

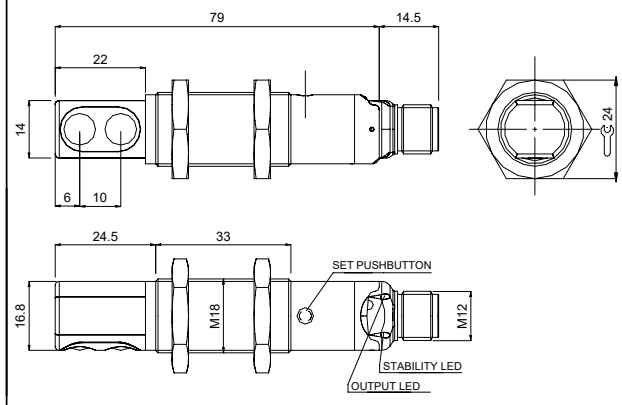


## BACKGROUND SUPPRESSION RADIAL VERSION

### PLASTIC

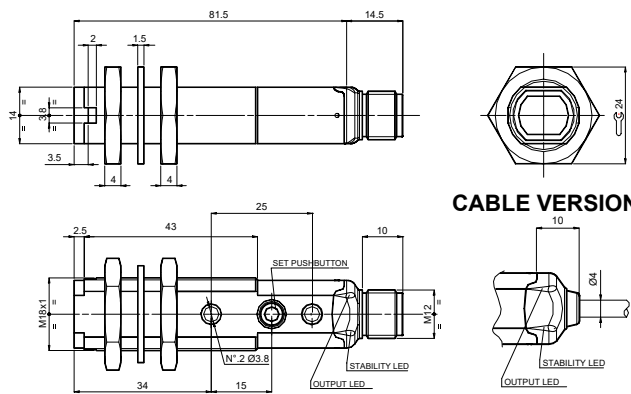


### METAL

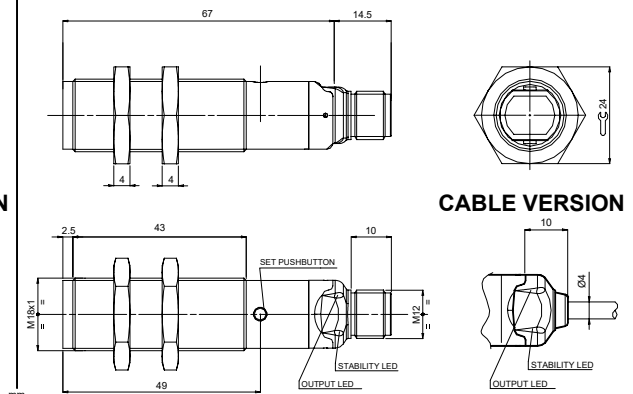


## LUMINESCENCE AND CONTRAST

### PLASTIC



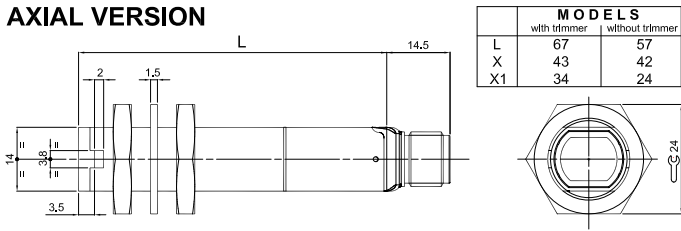
### METAL



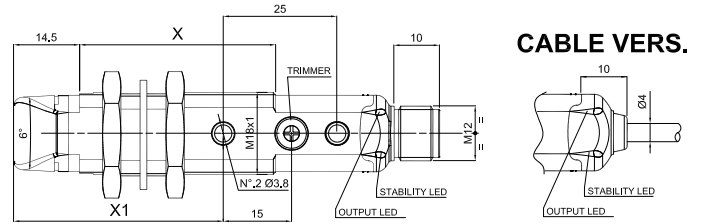
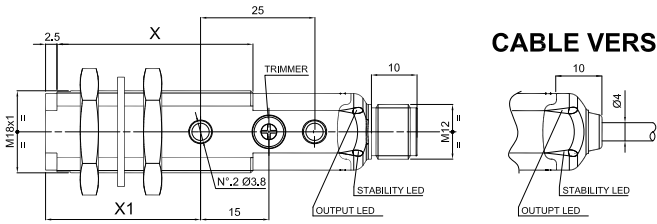
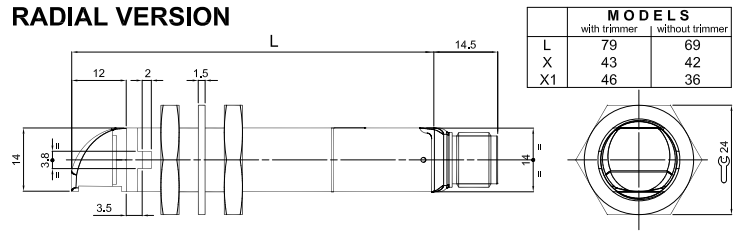
# DIMENSIONS

## S5N-Px/Mx...PK/NK MODELS

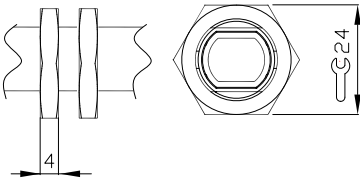
### AXIAL VERSION



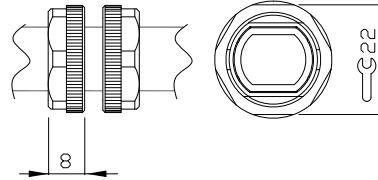
### RADIAL VERSION



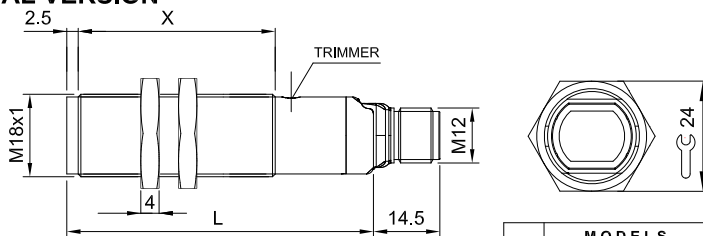
### CH.24 PLASTIC NUTS



### CH.22 PLASTIC NUTS

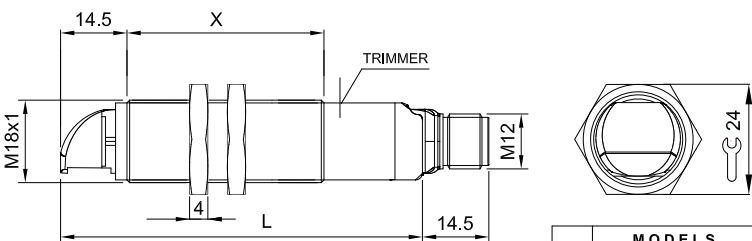


### AXIAL VERSION



MODELS		
	B01/C01/F00	A00/C10/G00
L	67	57
X	43	38

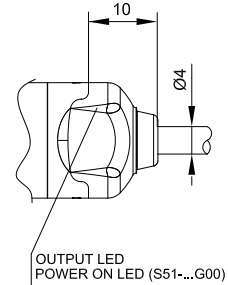
### RADIAL VERSION



MODELS		
	B01/C01/F00	A00/C10/G00
L	79	69
X	43	38

mm

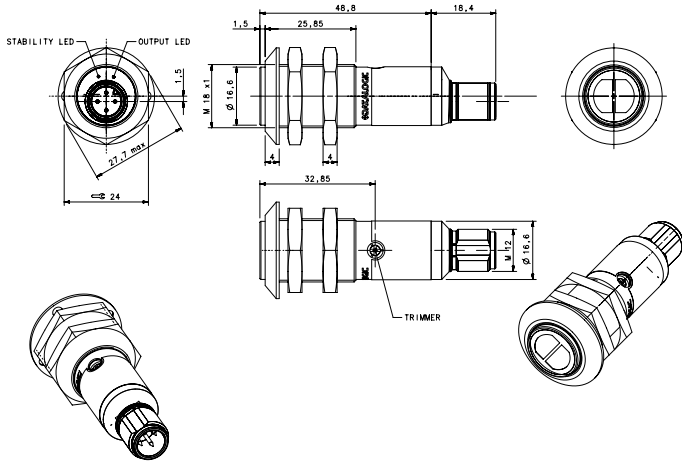
### CABLE VERSION



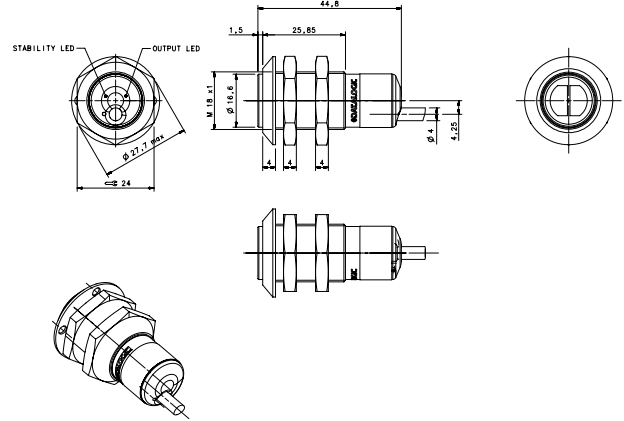
## S5N-SA MODELS

### PLASTIC

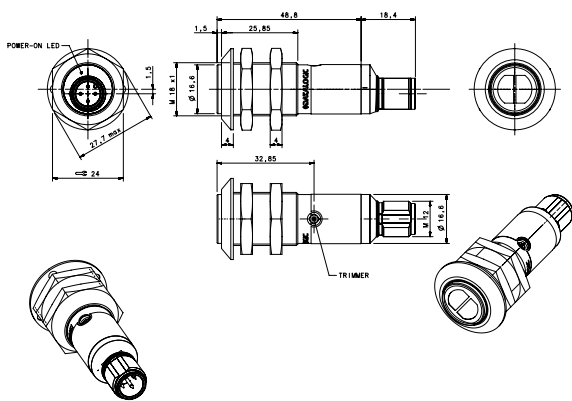
M12 connector version



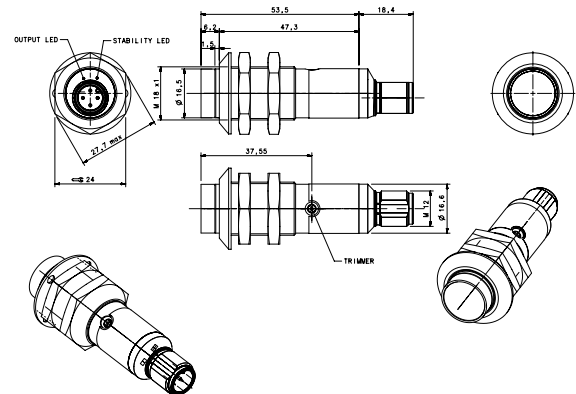
Cable version



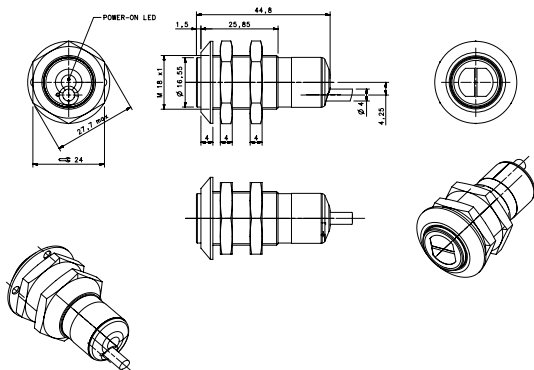
Through beam emitter - M12 connector version



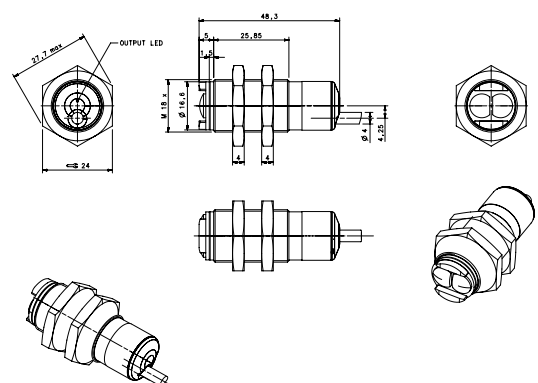
Background suppression - M12 connector version



Through beam emitter - cable version



Diffuse proximity - cable version

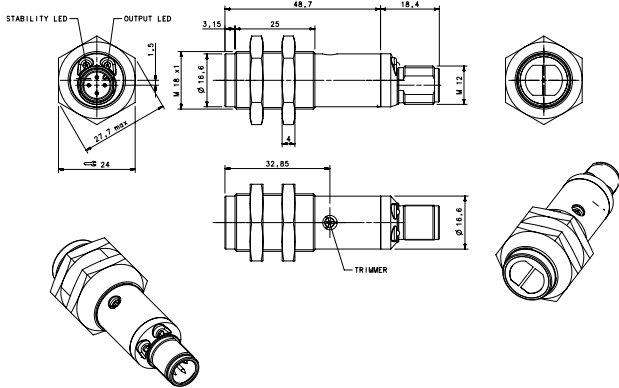


# DIMENSIONS

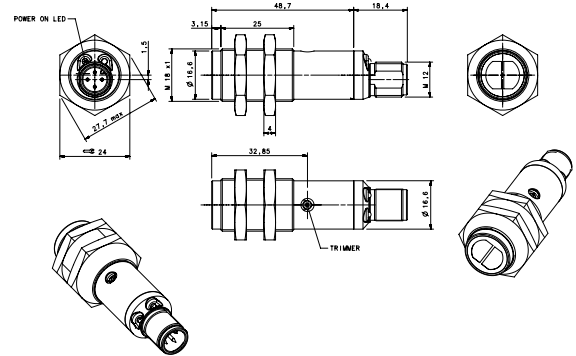
## S5N-NA MODELS

### STAINLESS STEEL

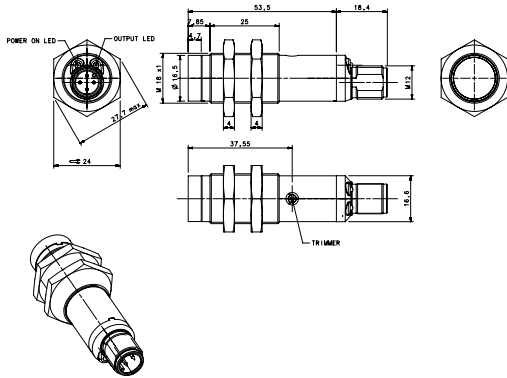
M12 connector version



Through beam emitter - M12 connector version



Background suppression - M12 connector version



Pig-tail version

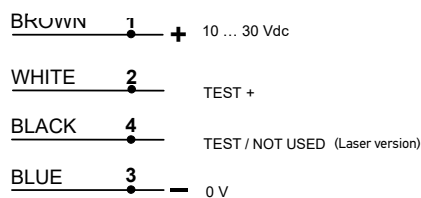
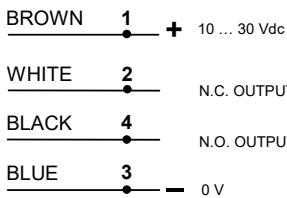


# CONNECTIONS

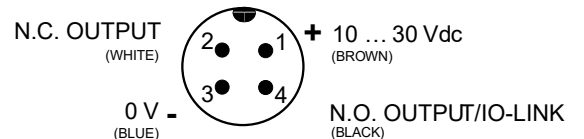
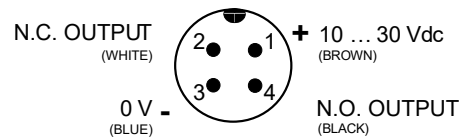
## S5N...PP/NN MODELS

### CABLE

Through beam emitter

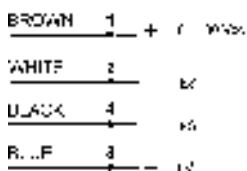


### M12 CONNECTOR

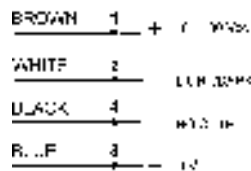


## S5N-Px/Mx...PK/NK MODELS

### G00 MODEL



### A00/B01/C01/C10/C20/F00 MODELS



## S5N...NA/SA MODELS

Cable and Pig-tail

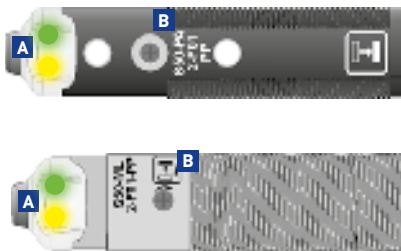
M12 connector



## INDICATORS AND SETTINGS

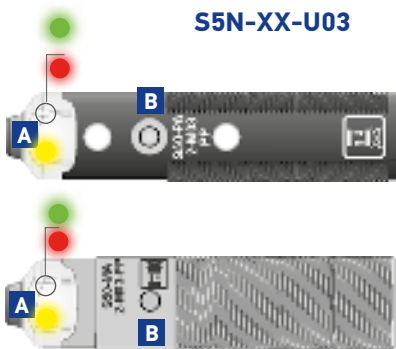
### S5N...PP/NN MODELS

#### S5N-XX...A00/B01/C01/C21/E01/F01/T01



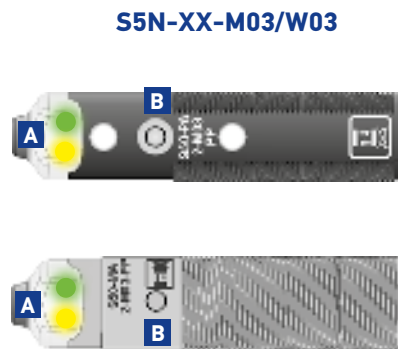
- A** OUTPUT status LED Yellow  
STABILITY LED Green (Only Receiver)  
POWER ON LED Green (Only Emitter)
- B** Adjustment trimmer (receiver)

Single-turn trimmer for sensitivity adjustment. Rotate in a clockwise direction to increase the operating distance.



#### S5N-XX-U03

- A** OUTPUT status LED Yellow  
READY LED Green  
LED Red error
- B** Teach-in push-button



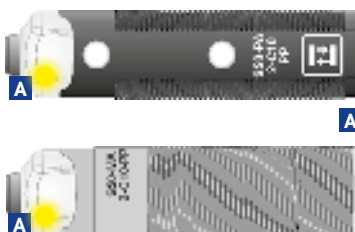
#### S5N-XX-M03/W03

- A** OUTPUT status LED Yellow  
READY LED Green
- B** Teach-in push-button

Teach-in button for setting.

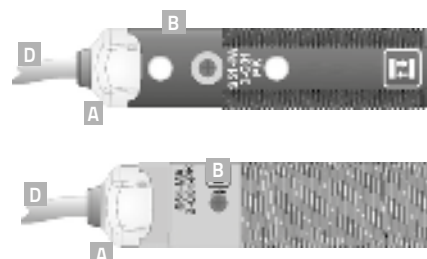
EASYtouch™ provides two setting modes: standard or fine, both obtained by pressing the push-button only once. Please refer to instructions manual for operating details.

#### S5N-XX-A00/C10/D00



- A** A00/C10  
OUTPUT status LED Yellow
- A** G00  
OUTPUT status LED yellow  
(Only Emitter G00)

#### S5N-Px/Mx...PK/NK MODELS

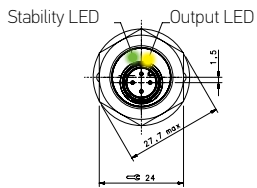


- A** OUTPUT status LED;  
POWER ON LED on G00  
model
- B** Adjustment trimmer  
(B01, C01 models)
- C** M12 connector
- D** Cable connection

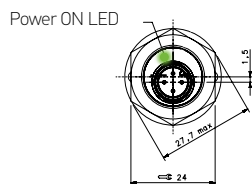
Trimmer for sensitivity adjustment.  
Rotate in a clockwise direction to increase the operating distance.

## S5N...SA/NA MODELS

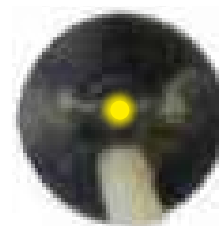
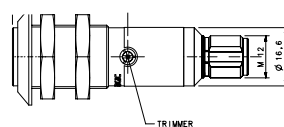
Plastic/metal case with trimmer, M12 connector



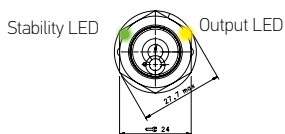
A01, B01, C11, C31, T01, F01, M01



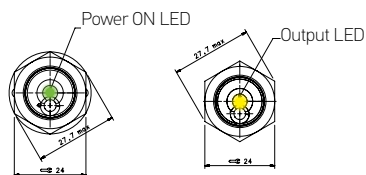
G01



Plastic, no trimmer, Cable, Pig Tail



A00, B00, C10, C00, T01, D50



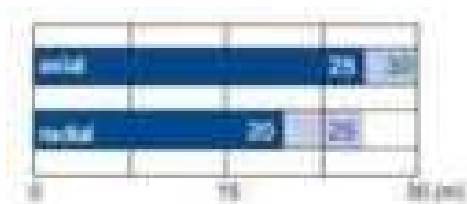
G00

F00

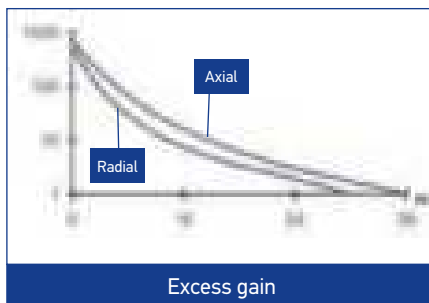
## DETECTION DIAGRAMS

### S5N...PP/NN MODELS

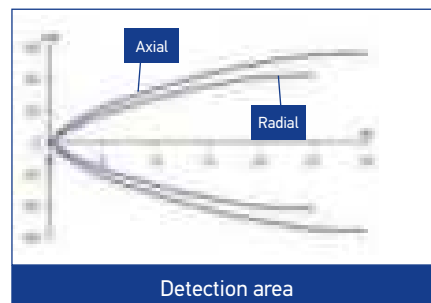
#### THROUGH BEAM (G/F) INFRARED EMISSION



■ Recommended operating distance  
■ Maximum operating distance

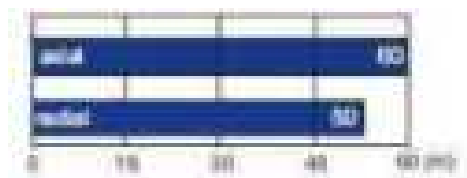


Excess gain

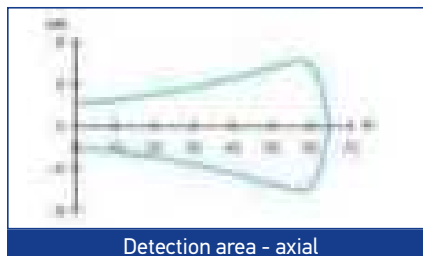


Detection area

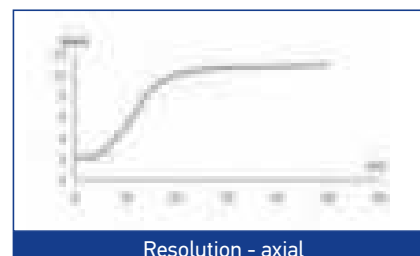
#### THROUGH BEAM (G/F) LASER RED EMISSION



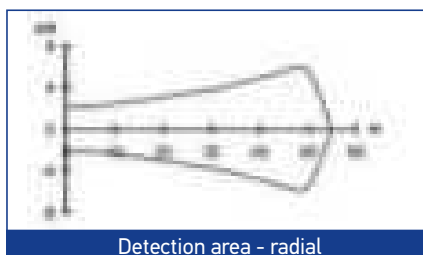
■ Operating distance



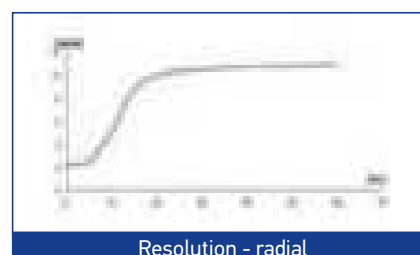
Detection area - axial



Resolution - axial

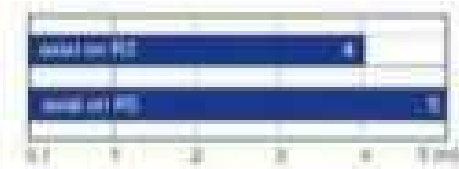


Detection area - radial

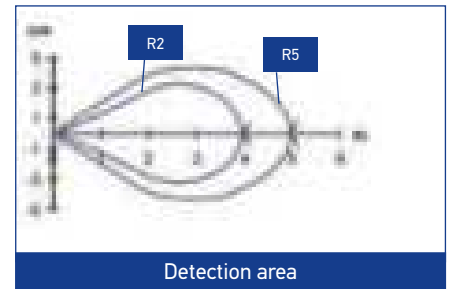
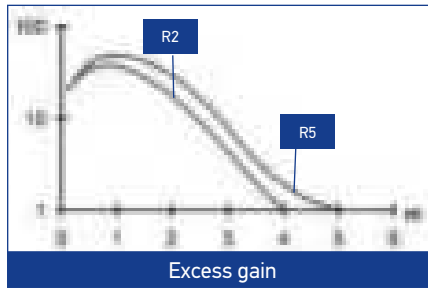


Resolution - radial

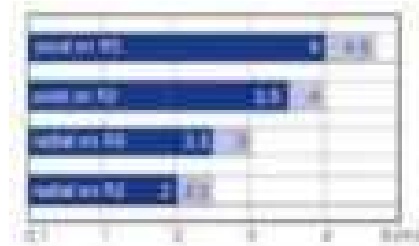
### RETROREFLECTIVE (A) INFRARED EMISSION



■ Operating distance

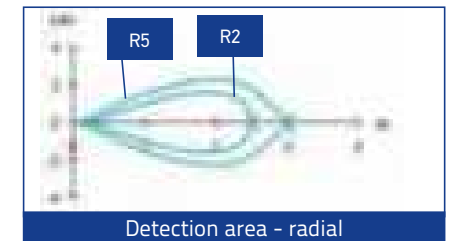
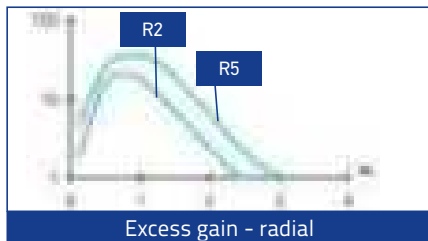
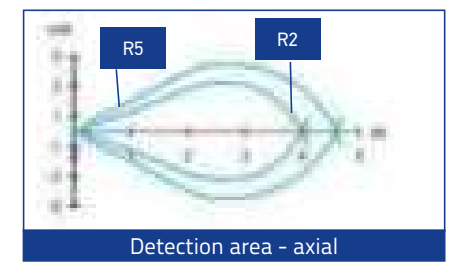
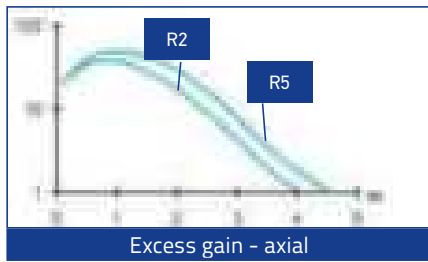


### RETROREFLECTIVE POLARIZED (B) RED EMISSION



■ Recommended operating distance  
 ■ Maximum operating distance

High efficiency reflectors can be used to obtain larger operating distances. Refer to **Reflectors** (A.01).

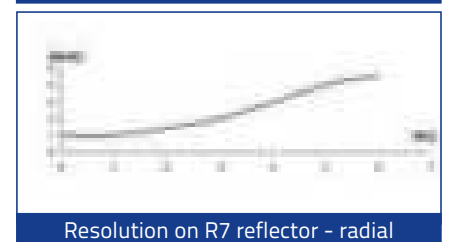
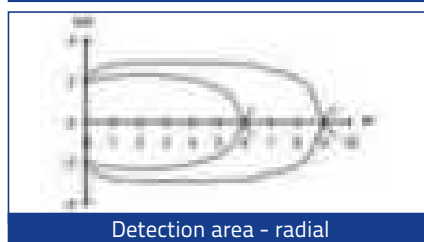
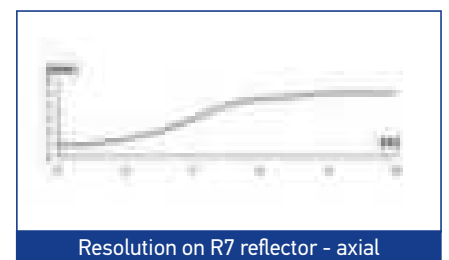
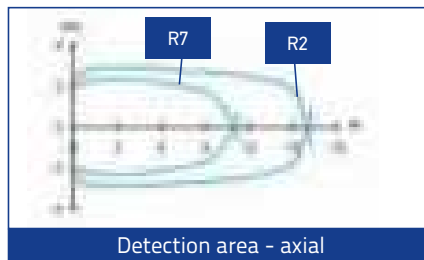


### RETROREFLECTIVE POLARIZED (B) LASER RED EMISSION



■ Operating distance

High efficiency reflectors can be used to obtain larger operating distances. Refer to **Reflectors** (A.01).

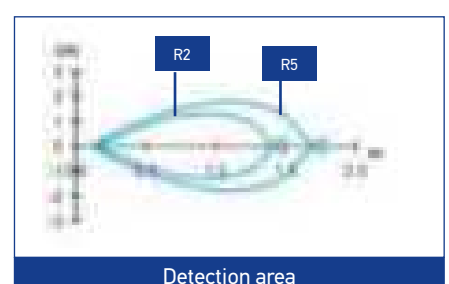
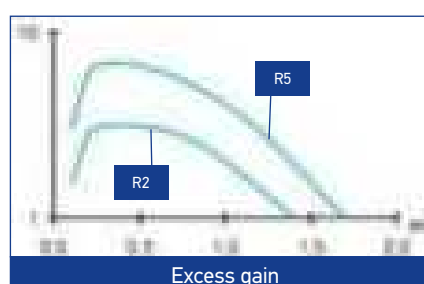


### RETROREFLECTIVE TRANSPARENT (T) RED EMISSION



■ Recommended operating distance  
 ■ Maximum operating distance

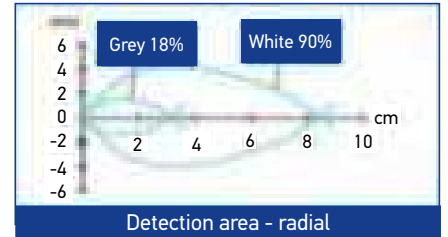
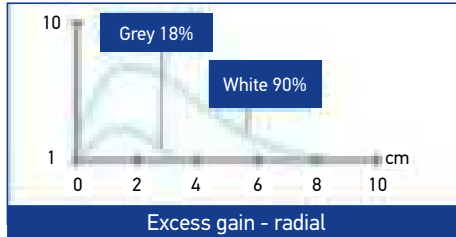
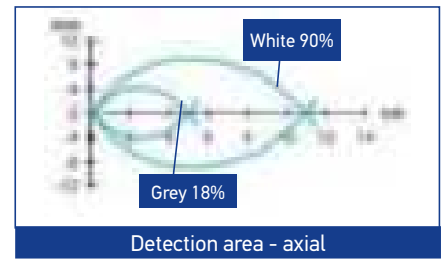
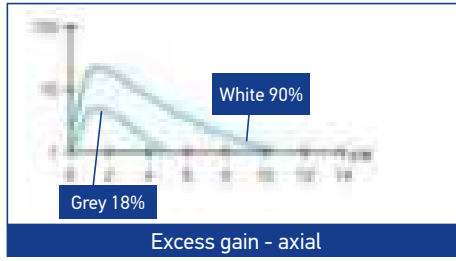
High efficiency reflectors can be used to obtain larger operating distances. Refer to **Reflectors**.



### ENERGETIC DIFFUSED (C) SHORT INFRARED EMISSION



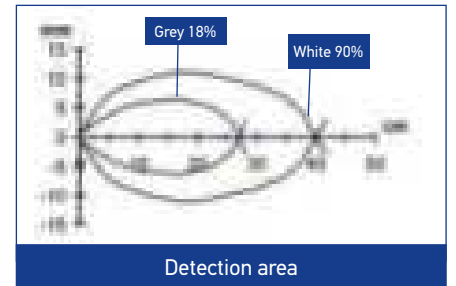
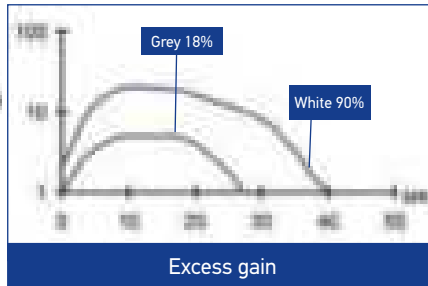
Recommended operating distance  
 Maximum operating distance



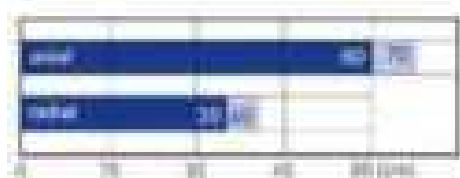
### ENERGETIC DIFFUSED (C) MID INFRARED EMISSION



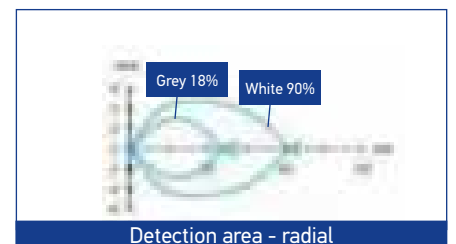
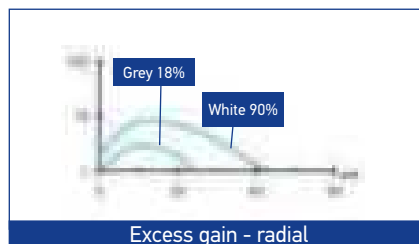
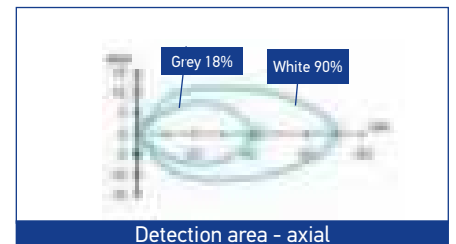
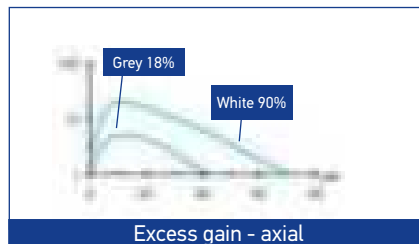
Recommended operating distance  
 Maximum operating distance



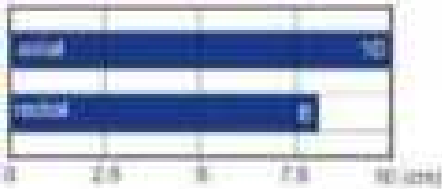
### ENERGETIC DIFFUSED (C) LONG INFRARED EMISSION



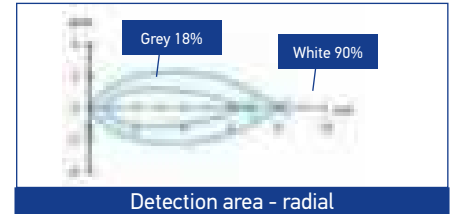
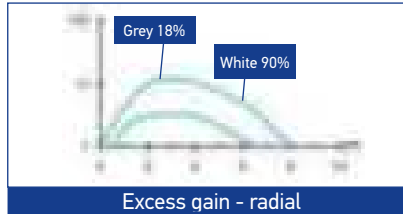
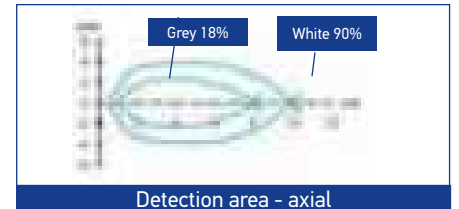
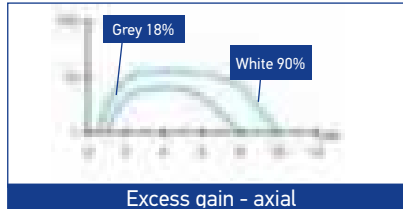
Recommended operating distance  
 Maximum operating distance



## FIXED FOCUS (D) RED EMISSION



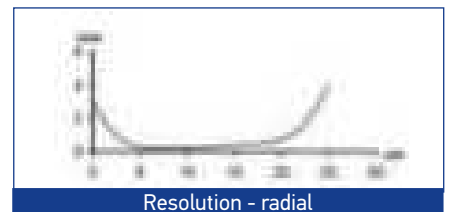
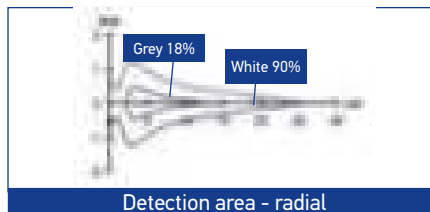
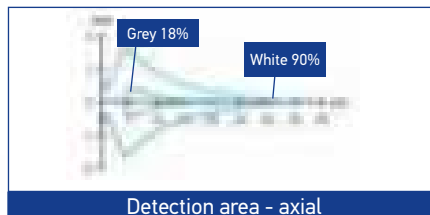
Operating distance



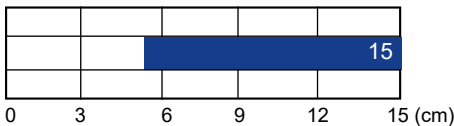
## DIFFUSED (C) LASER RED EMISSION



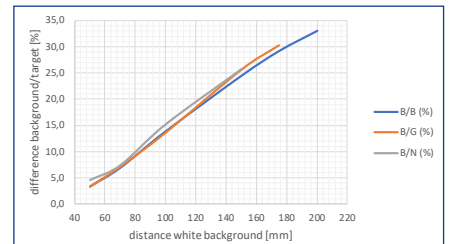
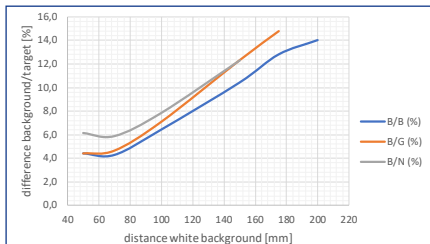
Operating distance



## BACKGROUND SUPPRESSOR (M) AXIAL RED EMISSION



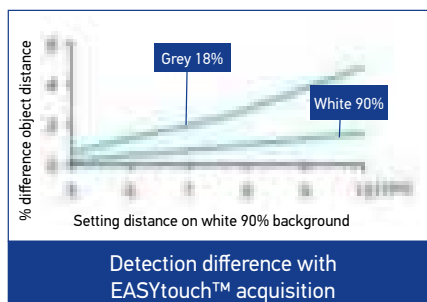
Operating distance



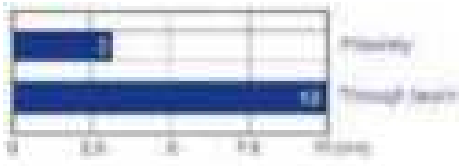
## BACKGROUND SUPPRESSOR (M) RADIAL RED EMISSION



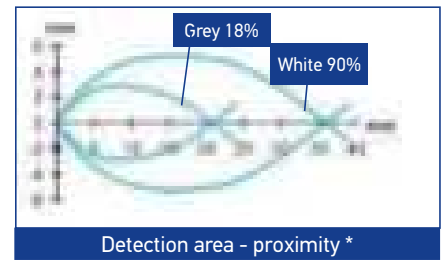
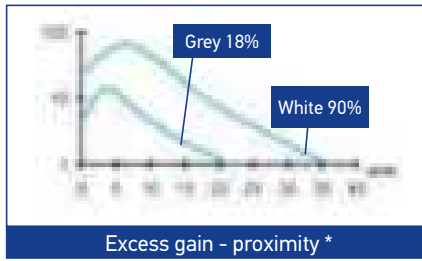
Operating distance



### FIBER OPTIC (E) RED EMISSION

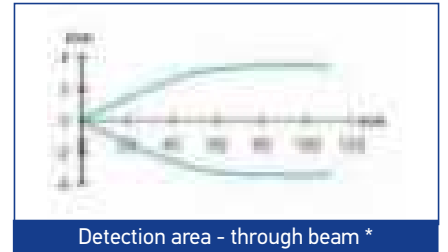
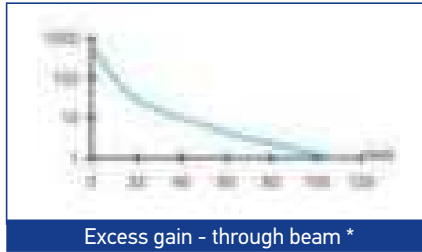


Operating distance with standard fibers



Standard Fiber-optics:  
OF-42-ST-20 proximity  
OF-43-ST-20 through beam

High efficiency fiber-optics or accessory lenses can be used to obtain larger operating distances.

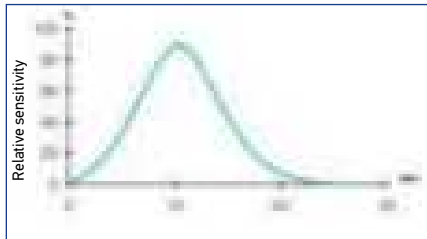


\* standard Fiber-optics

### MARK READER (W) WHITE EMISSION



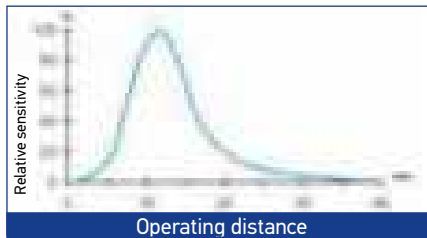
Operating distance



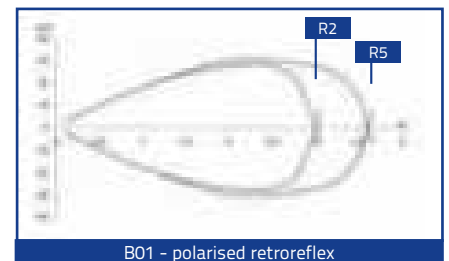
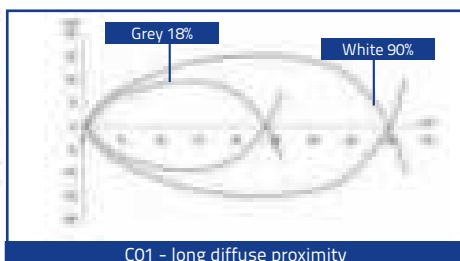
### LUMINESCENCE (U) UV EMISSION

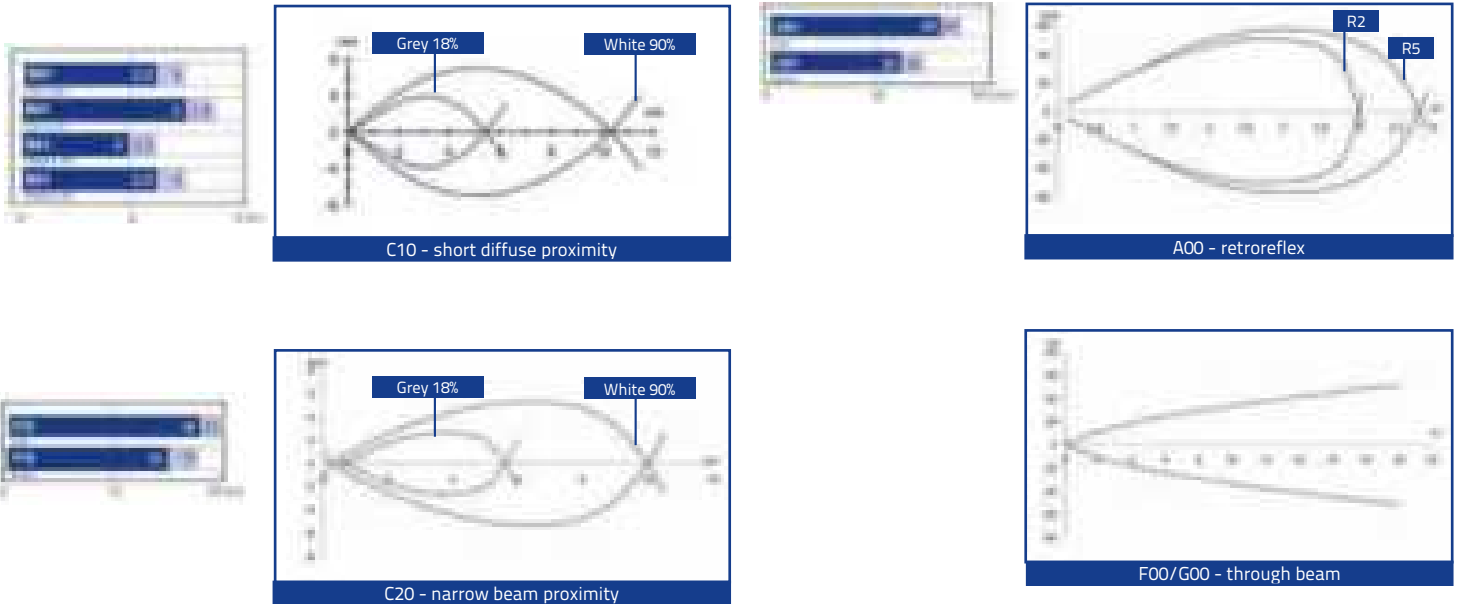


Operating distance



### S5N...PK/NK MODELS

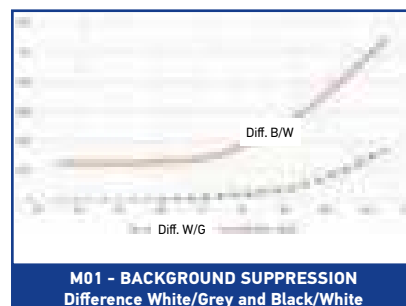
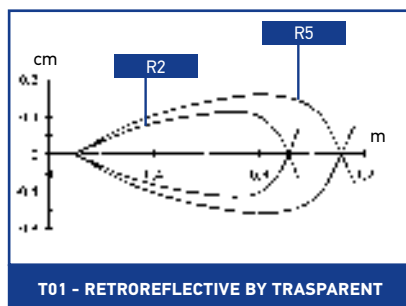
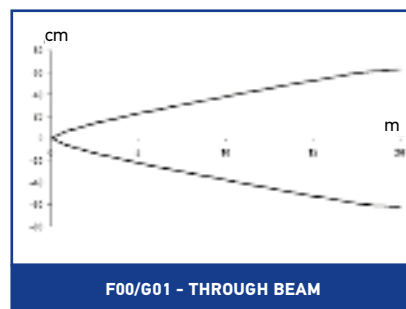
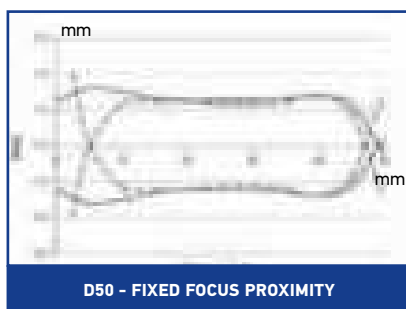
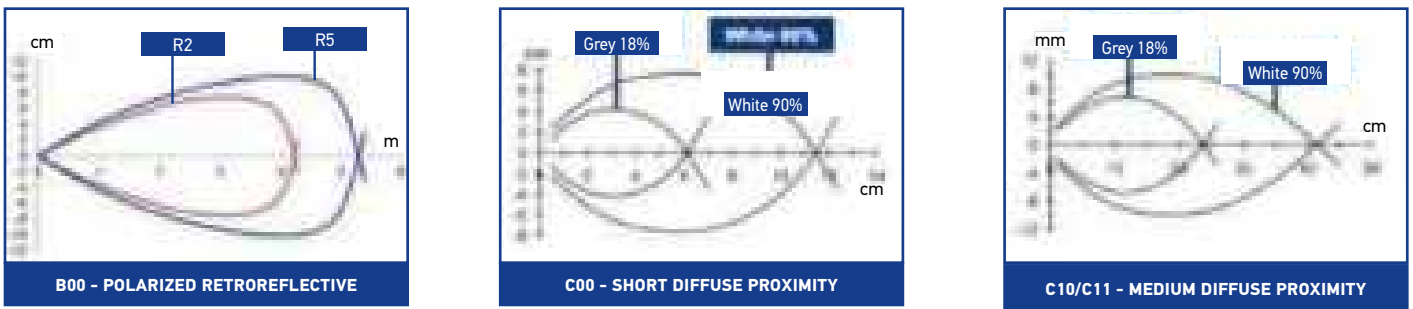




  Recommended operating distance  
  Maximum operating distance

**Note:** the diagrams indicate the detection area typical of the axial optic versions; the maximum operating distance of the radial optic versions decreases as indicated in the tables given below

### S5N-SA/NA MODELS



# MODEL SELECTION AND ORDER INFORMATION

S5N - STANDARD PLASTIC HOUSING - NO/NC STANDARD OUTPUT & IO-LINK MODELS (S5N-PA...PP/NN/OZ)					
OPTIC FUNCTION	EMISSION	CONNECTION	OUTPUT	MODEL	ORDER NO.
Retroreflective	LED, Axial optic	2m Cable	NPN	S5N-PA-2-A00-NN	952002091
			PNP	S5N-PA-2-A00-PP	952002081
		M12 Connector	NPN	S5N-PA-5-A00-NN	952002111
			PNP	S5N-PA-5-A00-PP	952002101
Polarized retroreflective	LED, Axial optic	2m Cable	NPN	S5N-PA-2-B01-NN	952001611
			PNP	S5N-PA-2-B01-PP	952001011
		M12 Connector	NPN	S5N-PA-5-B01-NN	952001501
			PNP	S5N-PA-5-B01-PP	952001021
	LED, Radial optic	2m Cable	NPN	S5N-PR-2-B01-NN	952001781
			PNP	S5N-PR-2-B01-PP	952001031
		M12 Connector	NPN	S5N-PR-5-B01-NN	952001721
			PNP	S5N-PR-5-B01-PP	952001041
	LASER, Axial optic	2m Cable	NPN	S5N-PL-2-B01-NN	952001871
			PNP	S5N-PL-2-B01-PP	952001361
		M12 Connector	NPN	S5N-PL-5-B01-NN	952001841
			PNP	S5N-PL-5-B01-PP	952001371
LASER, Radial optic	2m Cable	NPN	S5N-PL-5-B01-OZ	952002250	
		PNP	S5N-PL-5-B01-PP	952001371	
	M12 Connector	NPN	S5N-PH-2-B01-NN	952001951	
		PNP	S5N-PH-2-B01-PP	952001941	
Long Diffuse proximity	LED, Axial optic	2m Cable	NPN	S5N-PA-2-C01-NN	952001621
			PNP	S5N-PA-2-C01-PP	952001051
		M12 Connector	NPN	S5N-PA-5-C01-NN	952001511
			PNP	S5N-PA-5-C01-PP	952001061
	LED, Radial optic	2m Cable	NPN	S5N-PA-5-C01-OZ	952002210
			PNP	S5N-PR-2-C01-NN	952001791
		M12 Connector	NPN	S5N-PR-5-C01-NN	952001731
			PNP	S5N-PR-5-C01-PP	952001081
	LASER, Axial optic	2m Cable	NPN	S5N-PL-2-C01-NN	952001881
			PNP	S5N-PL-2-C01-PP	952001381
		M12 Connector	NPN	S5N-PL-5-C01-NN	952001851
			PNP	S5N-PL-5-C01-PP	952001391
LASER, Radial optic	2m Cable	NPN	S5N-PL-5-C01-OZ	952002260	
		PNP	S5N-PH-2-C01-NN	952001991	
	M12 Connector	NPN	S5N-PH-5-C01-NN	952001981	
		PNP	S5N-PH-5-C01-PP	952002001	
Short Diffuse proximity	LED, Axial optic	2m Cable	NPN	S5N-PA-2-C10-NN	952001631
			PNP	S5N-PA-2-C10-PP	952001241
		M12 Connector	NPN	S5N-PA-5-C10-NN	952001521
			PNP	S5N-PA-5-C10-PP	952001251
	LED, Radial optic	2m Cable	NPN	S5N-PR-2-C10-NN	952001801
			PNP	S5N-PR-2-C10-PP	952001491
		M12 Connector	NPN	S5N-PR-5-C10-NN	952001741
			PNP	S5N-PR-5-C10-PP	952001481
Medium Diffuse proximity	LED, Axial optic	2m Cable	NPN	S5N-PA-2-C21-NN	952002171
			PNP	S5N-PA-2-C21-PP	952002161
		M12 Connector	NPN	S5N-PA-5-C21-NN	952002191
			PNP	S5N-PA-5-C21-PP	952002181
Fixed focus	LED, Axial optic	2m Cable	NPN	S5N-PA-2-D00-NN	952001641
			PNP	S5N-PA-2-D00-PP	952001091
		M12 Connector	NPN	S5N-PA-5-D00-NN	952001531
			PNP	S5N-PA-5-D00-PP	952001101
Fiber optic	LED, Radial optic	2m Cable	NPN	S5N-PR-2-D00-NN	952001811
			PNP	S5N-PR-2-D00-PP	952001111
		M12 Connector	NPN	S5N-PR-5-D00-NN	952001751
			PNP	S5N-PR-5-D00-PP	952001121
Through beam receiver	LED, Axial optic	2m Cable	NPN	S5N-PA-2-E01-NN	952001651
			PNP	S5N-PA-2-E01-PP	952001131
		M12 Connector	NPN	S5N-PA-5-E01-NN	952001541
			PNP	S5N-PA-5-E01-PP	952001141
Through beam receiver	LED, Radial optic	2m Cable	NPN	S5N-PA-2-F01-NN	952001661
			PNP	S5N-PA-2-F01-PP	952001151
		M12 Connector	NPN	S5N-PA-5-F01-NN	952001551
			PNP	S5N-PA-5-F01-PP	952001161
	LASER, Axial optic	2m Cable	NPN	S5N-PR-2-F01-NN	952001821
			PNP	S5N-PR-2-F01-PP	952001171
		M12 Connector	NPN	S5N-PR-5-F01-NN	952001761
			PNP	S5N-PR-5-F01-PP	952001181
LASER, Radial optic	2m Cable	NPN	S5N-PL-2-F01-NN	952001891	
		PNP	S5N-PL-2-F01-PP	952001401	
	M12 Connector	NPN	S5N-PL-5-F01-NN	952001861	
		PNP	S5N-PL-5-F01-PP	952001411	
Through beam emitter	LED, Axial optic	2m Cable	NPN	S5N-PH-2-F01-NN	952002031
			PNP	S5N-PH-2-F01-PP	952002021
		M12 Connector	NPN	S5N-PH-5-F01-NN	952002051
			PNP	S5N-PH-5-F01-PP	952002041
	LED, Radial optic	2m Cable	-	S5N-PA-2-G00-XG	952001191
			-	S5N-PA-5-G00-XG	952001201
		M12 Connector	-	S5N-PR-2-G00-XG	952001211
			-	S5N-PR-5-G00-XG	952001221
	LASER, Axial optic	2m Cable	-	S5N-PL-2-G00-XG	952001421
			-	S5N-PL-5-G00-XG	952001431
		M12 Connector	-	S5N-PH-2-G00-XG	952002061
			-	S5N-PH-5-G00-XG	952002071

**S5N - STANDARD PLASTIC HOUSING - NO/NC STANDARD OUTPUT & IO-LINK MODELS (S5N-PA...PP/NN/OZ)**

Background suppression	LED, Axial optic	2m Cable	NPN	S5N-PA-2-M03-NN	952001671
			PNP	S5N-PA-2-M03-PP	952001231
	M12 Connector		NPN	S5N-PA-5-M03-NN	952001561
			PNP	S5N-PA-5-M03-PP	952001001
Retroreflective for transparent	LED, Radial optic	M12 Connector	IO-Link	S5N-PA-5-M03-OZ	952002230
			PNP	S5N-PS-5-M03-PP	952001931
	2m Cable		NPN	S5N-PS-5-M03-NN	952001921
			PNP	S5N-PS-2-M03-PP	952001911
Luminescence	LED, Axial optic	2m Cable	NPN	S5N-PS-2-M03-NN	952001901
			NPN	S5N-PA-2-T01-NN	952001691
	M12 Connector		PNP	S5N-PA-2-T01-PP	952001261
			NPN	S5N-PA-5-T01-NN	952001581
Contrast	LED, Radial optic	2m Cable	IO-Link	S5N-PA-5-T01-PP	952001271
			NPN	S5N-PA-5-T01-OZ	952002220
	M12 Connector		NPN	S5N-PR-2-T01-NN	952001831
			PNP	S5N-PR-2-T01-PP	952001281
Luminescence	LED, Axial optic	2m Cable	NPN	S5N-PR-5-T01-NN	952001771
			PNP	S5N-PR-5-T01-PP	952001291
	M12 Connector		NPN	S5N-PA-2-U03-NN	952001701
			PNP	S5N-PA-2-U03-PP	952001301
Contrast	LED, Axial optic	2m Cable	NPN	S5N-PA-5-U03-NN	952001591
			PNP	S5N-PA-5-U03-PP	952001311
	M12 Connector		NPN	S5N-PA-2-W03-NN	952001711
			PNP	S5N-PA-2-W03-PP	952001321
Contrast	LED, Axial optic	2m Cable	NPN	S5N-PA-5-W03-NN	952001601
			PNP	S5N-PA-5-W03-PP	952001331
	M12 Connector		NPN	S5N-PA-5-W03-OZ	952002240
			PNP	S5N-PA-5-W03-PP	952001331

**S5N - STANDARD PLASTIC HOUSING - L/D INPUT MODELS (S5N-PA...PK/NK)**

Retroreflective	LED, Axial optic	2m Cable	NPN	S5N-PA-2-A00-NK	952701072
			PNP	S5N-PA-2-A00-PK	952701002
	M12 Connector		NPN	S5N-PA-5-A00-NK	952701332
			PNP	S5N-PA-5-A00-PK	952701262
Polarized retroreflective	LED, Radial optic	2m Cable	NPN	S5N-PR-2-A00-NK	952701202
			PNP	S5N-PR-2-A00-PK	952701132
	M12 Connector		PNP	S5N-PR-5-A00-PK	952701392
			NPN	S5N-PA-2-B01-NK	952701082
Diffuse proximity	LED, Axial optic	2m Cable	PNP	S5N-PA-2-B01-PK	952701012
			NPN	S5N-PA-5-B01-NK	952701342
	M12 Connector		PNP	S5N-PA-5-B01-PK	952701272
			NPN	S5N-PR-2-B01-NK	952701212
Short Diffuse proximity	LED, Radial optic	2m Cable	PNP	S5N-PR-2-B01-PK	952701142
			PNP	S5N-PR-5-B01-PK	952701402
	M12 Connector		NPN	S5N-PA-2-C01-NK	952701092
			PNP	S5N-PA-2-C01-PK	952701022
Through beam receiver	LED, Axial optic	2m Cable	NPN	S5N-PA-5-C01-NK	952701352
			PNP	S5N-PA-5-C01-PK	952701282
	M12 Connector		NPN	S5N-PR-2-C01-NK	952701222
			PNP	S5N-PR-2-C01-PK	952701152
Through beam emitter	LED, Radial optic	2m Cable	PNP	S5N-PR-5-C01-PK	952701412
			NPN	S5N-PA-2-C10-NK	952701102
	M12 Connector		PNP	S5N-PA-2-C10-PK	952701032
			NPN	S5N-PA-5-C10-NK	952701362
Through beam receiver	LED, Axial optic	2m Cable	PNP	S5N-PA-5-C10-PK	952701292
			NPN	S5N-PR-2-C10-NK	952701232
	M12 Connector		PNP	S5N-PR-2-C10-PK	952701162
			PNP	S5N-PR-5-C10-PK	952701422
Through beam emitter	LED, Axial optic	2m Cable	NPN	S5N-PA-2-F00-NK	952701122
			NPN	S5N-PA-5-F00-NK	952701382
	M12 Connector		PNP	S5N-PA-5-F00-PK	952701312
			PNP	S5N-PR-5-F00-PK	952701442
Through beam emitter	LED, Radial optic	2m Cable	-	S5N-PA-2-G00-XG	952001191
			-	S5N-PA-5-G00-XG	952001201
	M12 Connector		-	S5N-PR-2-G00-XG	952001211
			-	S5N-PR-5-G00-XG	952001221
Background suppression	LASER, Axial optic	2m Cable	-	S5N-PL-2-G00-XG	952001421
			-	S5N-PL-5-G00-XG	952001431
	M12 Connector		-	S5N-PH-2-G00-XG	952002061
			-	S5N-PH-5-G00-XG	952002071

**S5N - SHORT PLASTIC HOUSING - L/D INPUT MODELS (S5N-SA...)**

Polarized retroreflective	LED, Axial optic	2m Cable	NPN	S5N-SA-2-B00-NK	952301062
			PNP	S5N-SA-2-B00-PK	952301012
Diffuse proximity	LED, Axial optic	Pig Tail M12	PNP	S5N-SA-3-B00-PK	952301122
			NPN	S5N-SA-2-C00-NK	952301072
	2m Cable		PNP	S5N-SA-2-C00-PK	952301022
			PNP	S5N-SA-3-C00-PK	952301132
Short Diffuse proximity Fixed Focus	LED, Axial optic	Pig Tail M12	PNP	S5N-SA-3-C10-PK	952301142
			NPN	S5N-SA-3-D50-PK	952301541
Through beam receiver	LED, Axial optic	Pig Tail M12	PNP	S5N-SA-3-F00-PK	952301152
			-	S5N-SA-3-G00-XG	952301212
Through beam emitter	LED, Axial optic	Pig Tail M12	NPN	S5N-SA-5-M01-NK	952301351
			PNP	S5N-SA-5-M01-PK	952301271
Background suppression	LED, Axial optic	Pig Tail M12	PNP	S5N-SA-5-T01-PK	952301241
			NPN	S5N-SA-5-T01-NK	952301321
Retroreflective for transparent	LED, Axial optic	M12 Connector	PNP	S5N-SA-5-T01-PK	952301241
			NPN	S5N-SA-5-T01-NK	952301321

S5N - METAL HOUSING - NO/NC STANDARD OUTPUT & IO-LINK MODELS (S5N-MA...PP/NN/OZ)

Retroreflective	LED, Axial optic	2m Cable	NPN	S5N-MA-2-A00-NN	952022091	
		M12 Connector	PNP	S5N-MA-2-A00-PP	952022081	
			NPN	S5N-MA-5-A00-NN	952022111	
		M12 Connector	PNP	S5N-MA-5-A00-PP	952022101	
2m Cable	NPN		S5N-MA-2-B01-NN	952021501		
Polarized retroreflective	LED, Axial optic	M12 Connector	PNP	S5N-MA-2-B01-PP	952021001	
			NPN	S5N-MA-5-B01-NN	952021661	
		M12 Connector	PNP	S5N-MA-5-B01-PP	952021201	
			IO-Link	S5N-MA-5-B01-OZ	952022160	
	LED, Radial optic	2m Cable	NPN	S5N-MR-2-B01-NN	952021601	
			PNP	S5N-MR-2-B01-PP	952021141	
		M12 Connector	NPN	S5N-MR-5-B01-NN	952021761	
			PNP	S5N-MR-5-B01-PP	952021341	
	LASER, Axial optic	2m Cable	NPN	S5N-ML-2-B01-NN	952021821	
			PNP	S5N-ML-2-B01-PP	952021401	
		M12 Connector	NPN	S5N-ML-5-B01-NN	952021851	
			PNP	S5N-ML-5-B01-PP	952021441	
	LASER, Radial optic	2m Cable	IO-Link	S5N-ML-5-B01-OZ	952022180	
			NPN	S5N-MH-2-B01-NN	952021951	
		M12 Connector	PNP	S5N-MH-2-B01-PP	952021941	
			NPN	S5N-MH-5-B01-NN	952021971	
Long Diffuse proximity	LED, Axial optic	2m Cable	NPN	S5N-MA-2-C01-NN	952021511	
			PNP	S5N-MA-2-C01-PP	952021011	
		M12 Connector	NPN	S5N-MA-5-C01-NN	952021671	
			PNP	S5N-MA-5-C01-PP	952021211	
	LED, Radial optic	2m Cable	IO-Link	S5N-MA-5-C01-OZ	952022200	
			NPN	S5N-MR-2-C01-NN	952021611	
		M12 Connector	PNP	S5N-MR-2-C01-PP	952021151	
			NPN	S5N-MR-5-C01-NN	952021771	
	LASER, Axial optic	2m Cable	PNP	S5N-MR-5-C01-PP	952021351	
			NPN	S5N-ML-2-C01-NN	952021831	
		M12 Connector	PNP	S5N-ML-2-C01-PP	952021411	
			NPN	S5N-ML-5-C01-NN	952021861	
	LASER, Radial optic	2m Cable	PNP	S5N-ML-5-C01-PP	952021451	
			IO-Link	S5N-ML-5-C01-OZ	952022190	
		M12 Connector	NPN	S5N-MH-2-C01-NN	952021991	
			PNP	S5N-MH-2-C01-PP	952021981	
Short Diffuse proximity	LED, Axial optic	2m Cable	NPN	S5N-MA-2-C10-NN	952021521	
			PNP	S5N-MA-2-C10-PP	952021021	
		M12 Connector	NPN	S5N-MA-5-C10-NN	952021681	
			PNP	S5N-MA-5-C10-PP	952021221	
	LED, Radial optic	2m Cable	NPN	S5N-MR-2-C10-NN	952021621	
			PNP	S5N-MR-2-C10-PP	952021491	
		M12 Connector	NPN	S5N-MR-5-C10-NN	952021781	
			PNP	S5N-MR-5-C10-PP	952021481	
	Medium Diffuse proximity	LED, Axial optic	2m Cable	NPN	S5N-MA-2-C21-NN	952022131
				PNP	S5N-MA-2-C21-PP	952022121
			M12 Connector	NPN	S5N-MA-5-C21-NN	952022151
				PNP	S5N-MA-5-C21-PP	952022141
		Fixed focus	2m Cable	NPN	S5N-MA-2-D00-NN	952021531
				PNP	S5N-MA-2-D00-PP	952021031
			M12 Connector	NPN	S5N-MA-5-D00-NN	952021691
				PNP	S5N-MA-5-D00-PP	952021231
Fiber optic	LED, Axial optic	2m Cable	NPN	S5N-MR-2-D00-NN	952021631	
			PNP	S5N-MR-2-D00-PP	952021161	
		M12 Connector	NPN	S5N-MR-5-D00-NN	952021791	
			PNP	S5N-MR-5-D00-PP	952021361	
	Through beam receiver	LED, Axial optic	2m Cable	NPN	S5N-MA-2-E01-NN	952021881
				PNP	S5N-MA-2-E01-PP	952021041
			M12 Connector	NPN	S5N-MA-5-E01-NN	952021891
				PNP	S5N-MA-5-E01-PP	952021241
LED, Radial optic		2m Cable	NPN	S5N-MA-2-F01-NN	952021541	
			PNP	S5N-MA-2-F01-PP	952021051	
		M12 Connector	NPN	S5N-MA-5-F01-NN	952021701	
			PNP	S5N-MA-5-F01-PP	952021251	
LASER, Axial optic	2m Cable	NPN	S5N-MR-2-F01-NN	952021641		
		PNP	S5N-MR-2-F01-PP	952021171		
		M12 Connector	NPN	S5N-MR-5-F01-NN	952021801	
			PNP	S5N-MR-5-F01-PP	952021371	
	LASER, Radial optic	2m Cable	NPN	S5N-ML-2-F01-NN	952021841	
			PNP	S5N-ML-2-F01-PP	952021421	
		M12 Connector	NPN	S5N-ML-5-F01-NN	952021871	
			PNP	S5N-ML-5-F01-PP	952021461	
LASER, Radial optic	2m Cable	NPN	S5N-MH-2-F01-NN	952022031		
		PNP	S5N-MH-2-F01-PP	952022021		
	M12 Connector	NPN	S5N-MH-5-F01-NN	952022051		
		PNP	S5N-MH-5-F01-PP	952022041		

S5N - METAL HOUSING - NO/NC STANDARD OUTPUT & IO-LINK MODELS (S5N-MA...PP/NN/OZ)

Through beam emitter	LED, Axial optic	2m Cable	-	S5N-MA-2-G00-XG	952021061
		M12 Connector	-	S5N-MA-5-G00-XG	952021261
	LED, Radial optic	2m Cable	-	S5N-MR-2-G00-XG	952021181
		M12 Connector	-	S5N-MR-5-G00-XG	952021381
	LASER, Axial optic	2m Cable	-	S5N-ML-2-G00-XG	952021431
		M12 Connector	-	S5N-ML-5-G00-XG	952021471
LASER, Radial optic	2m Cable	-	S5N-MH-2-G00-XG	952022061	
	M12 Connector	-	S5N-MH-5-G00-XG	952022071	
Background suppression	LED, Axial optic	2m Cable	NPN	S5N-MA-2-M03-NN	952021551
Background suppression		M12 Connector	PNP	S5N-MA-2-M03-PP	952021071
	LED, Radial optic		PNP	S5N-MA-5-M03-PP	952021271
Background suppression		M12 Connector	IO-Link	S5N-MA-5-M03-OZ	952022170
	LED, Axial optic		PNP	S5N-MS-5-M03-PP	952021931
Background suppression		M12 Connector	PNP	S5N-MS-2-M03-PP	952021911
	LED, Axial optic		PNP	S5N-MA-2-T01-NN	952021571
Retroreflective for transparent		2m Cable	NPN	S5N-MA-2-T01-PP	952021091
	M12 Connector		NPN	S5N-MA-5-T01-NN	952021731
Retroreflective for transparent		LED, Axial optic	PNP	S5N-MA-5-T01-PP	952021291
	LED, Radial optic		PNP	S5N-MR-2-T01-NN	952021651
Retroreflective for transparent		2m Cable	NPN	S5N-MR-2-T01-PP	952021191
	M12 Connector		NPN	S5N-MR-5-T01-NN	952021811
Retroreflective for transparent		LED, Radial optic	PNP	S5N-MR-5-T01-PP	952021391
	Luminescence		M12 Connector	PNP	S5N-MA-5-U03-PP
Contrast		2m Cable	PNP	S5N-MA-2-W03-PP	952021111
	Contrast	M12 Connector	NPN	S5N-MA-5-W03-NN	952021751
Contrast		LED, Axial optic	PNP	S5N-MA-5-W03-PP	952021311

S5N - METAL HOUSING - L/D INPUT MODELS MODELS (S5N-MA...PK/NK)

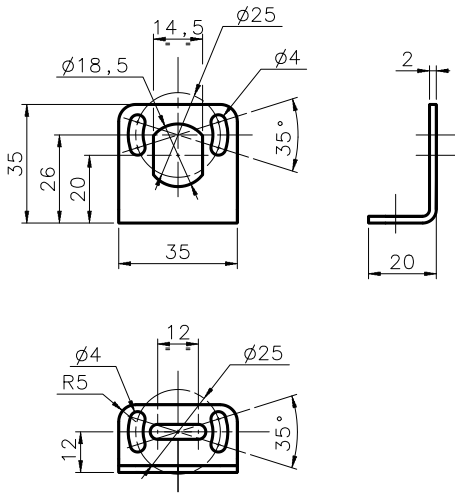
Retroreflective	LED, Axial optic	M12 Connector	NPN	S5N-MA-5-A00-NK	952701802	
			PNP	S5N-MA-5-A00-PK	952701532	
Polarized retroreflective	LED, Axial optic	M12 Connector	NPN	S5N-MA-5-B01-NK	952701812	
			PNP	S5N-MA-5-B01-PK	952701762	
Diffuse proximity	LED, Axial optic	2m Cable	NPN	S5N-MA-2-C01-NK	952701622	
			PNP	S5N-MA-2-C01-PK	952701562	
		M12 Connector	NPN	S5N-MA-5-C01-NK	952701822	
			PNP	S5N-MA-5-C01-PK	952701772	
		Diffuse proximity	2m Cable	NPN	S5N-MA-2-C10-NK	952701632
				PNP	S5N-MA-2-C10-PK	952701572
Diffuse proximity	M12 Connector	NPN	S5N-MA-5-C10-NK	952701832		
		PNP	S5N-MA-5-C10-PK	952701522		
Through beam receiver	LED, Axial optic	M12 Connector	NPN	S5N-MA-5-F00-NK	952701842	
			PNP	S5N-MA-5-F00-PK	952701782	
Through beam emitter	LED, Axial optic	2m Cable	-	S5N-MA-2-G00-XG	952021061	
		M12 Connector	-	S5N-MA-5-G00-XG	952021261	
	LED, Radial optic	2m Cable	-	S5N-MR-2-G00-XG	952021181	
		M12 Connector	-	S5N-MR-5-G00-XG	952021381	
	LED, Axial optic	2m Cable	-	S5N-ML-2-G00-XG	952021431	
		M12 Connector	-	S5N-ML-5-G00-XG	952021471	
	LED, Radial optic	2m Cable	-	S5N-MH-2-G00-XG	952022061	
		M12 Connector	-	S5N-MH-5-G00-XG	952022071	

S5N - INOX HOUSING - L/D INPUT MODELS MODELS (S5N-NA...)

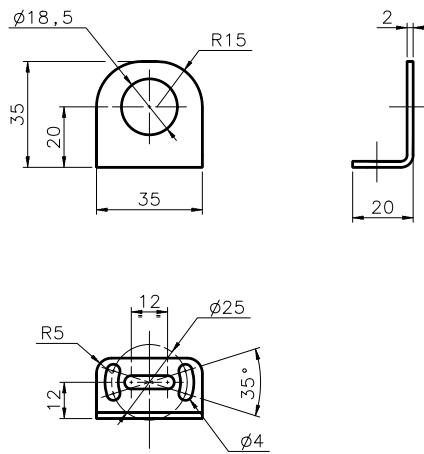
Polarized retroreflective	LED, Axial optic	M12 Connector	NPN	S5N-NA-5-B01-NK	952301461
			PNP	S5N-NA-5-B01-PK	952301381
Diffuse proximity Inox	LED, Axial optic	M12 Connector	NPN	S5N-NA-5-C11-NK	952301481
			PNP	S5N-NA-5-C11-PK	952301401
Through beam receiver Inox	LED, Axial optic	M12 Connector	NPN	S5N-NA-5-F01-NK	952301511
Through beam emitter inox			PNP	S5N-NA-5-F01-PK	952301431
Background suppression inox	LED, Axial optic	M12 Connector	-	S5N-NA-5-G01-XG	952301441
			NPN	S5N-NA-5-M01-NK	952301501
Retroreflective for transparent inox	LED, Axial optic	M12 Connector	PNP	S5N-NA-5-M01-PK	952301421
			NPN	S5N-NA-5-T01-NK	952301471
Retroreflective for transparent inox	LED, Axial optic	M12 Connector	PNP	S5N-NA-5-T01-PK	952301391

# ACCESSORIES

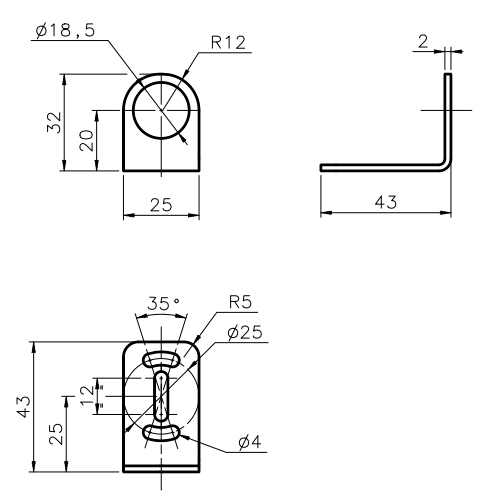
ST-5010



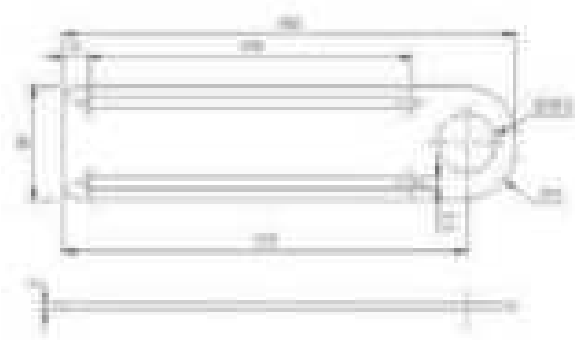
ST-5011



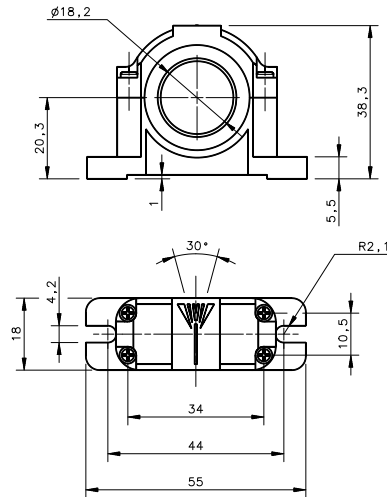
ST-5012



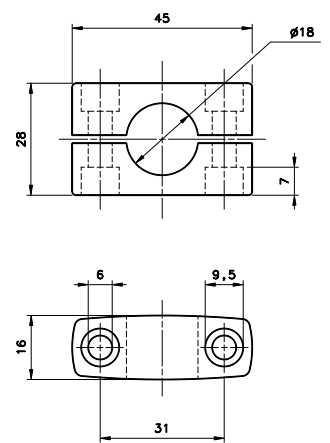
ST-5017



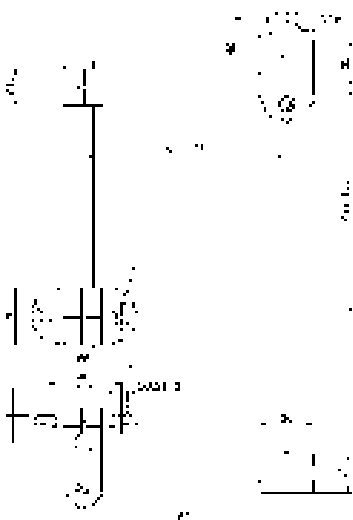
SWING-18



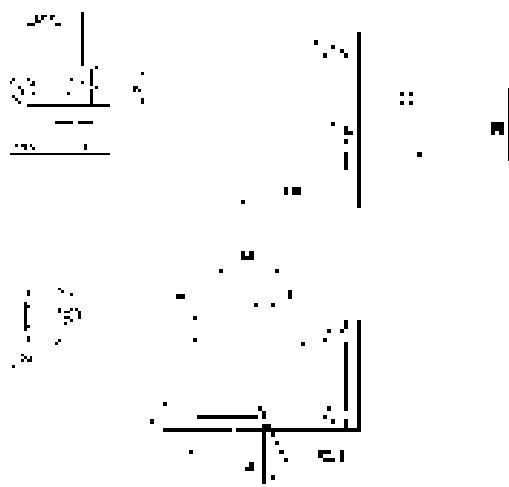
SP-40



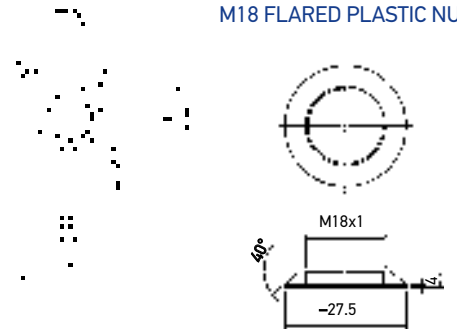
JOINT 18



MICRO 18



M18 FLARED PLASTIC NUT



mm

MODEL	DESCRIPTION	ORDER No.
ST-5010	M18/14 mounting bracket	95ACC5230
ST-5011	M18 mounting bracket short	95ACC5240
ST-5012	M18 mounting bracket long	95ACC5250
ST-5017	M18 mounting bracket	95ACC5270
S50 EASY -IN	M18/14 EASY in™ adjustable mounting support	95ACC 5300
JOINT -18	M18 jointed support	95ACC 5220
MICRO -18	support with micrometric regulation for tubular M18 sensors	95ACC 1380
SP-40	mounting bracket tubular	95ACC1370
SWING-18	adjustable support for M18 tubular sensors	895000006
PLASTIC NUT	flared mounting nut	95ACC2630
M18 FLARED NUT	S5N mounting nut M18 flared nut (1 pc)	95ACC2630
M18 METAL NUT	S5N mounting nut M18 nut (1 pc)	G602000017
M18 PLASTIC NUT KIT	S5N mounting nut M18 nuts kit (100 pcs)	G602000008
MEK -PROOF	front protection (only for metal models)	G5000001

## IO-LINK CONNECTIVITY

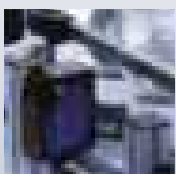
MODEL	DESCRIPTION	ORDER No.
CBX-8IOL-EIP	CBX-8IOL-EIP 8P IOL M12 EIP MASTER	95ACC8180
CBX-8IOL-PNIO	CBX-8IOL-PNIO 8P IOL M12 PROFINET MASTER	95ACC8190

## CABLES

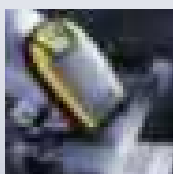
TYPE	DESCRIPTION	LENGTH	MODEL	ORDER No.
Axial M12 Connector	4-pole, grey, P.V.C.	3 m	CS-A1-02-G-03	95A251380
		5 m	CS-A1-02-G-05	95A251270
		7 m	CS-A1-02-G-07	95A251280
		10 m	CS-A1-02-G-10	95A251390
	4-pole, P.U.R.	2 m	CS-A1-02-R-02	95A251540
		5 m	CS-A1-02-R-05	95A251560
Radial M12 Connector	4-pole, grey, P.V.C.	3 m	CS-A2-02-G-03	95A251360
		5 m	CS-A2-02-G-05	95A251240
		7 m	CS-A2-02-G-07	95A251245
		10 m	CS-A2-02-G-10	95A251260
	4-pole, P.U.R.	2 m	CS-A2-02-R-02	95A251550
		5 m	CS-A2-02-R-05	95A251570
Radial M12 Connector with LED (for PNP N.O. sensors)	4-pole, grey, P.V.C.	3 m	CS-A2-12-G-03	95A251400
		5 m	CS-A2-12-G-05	95A251350
		10 m	CS-A2-12-G-10	95A251370
Axial M12 Connector	4-pole, shielded, black, P.V.C.	3 m	CV-A1-22-B-03	95ACC1480
		5 m	CV-A1-22-B-05	95ACC1490
		10 m	CV-A1-22-B-10	95ACC1500
		15 m	CV-A1-22-B-15	95ACC2070
		25 m	CV-A1-22-B-25	95ACC2090
Radial M12 Connector	4-pole, shielded, black, P.V.C.	3 m	CV-A2-22-B-03	95ACC1540
		5 m	CV-A2-22-B-05	95ACC1550
		10 m	CV-A2-22-B-10	95ACC1560
Axial M12 Connector	4-pole, U.L., black, P.V.C.	3 m	CS-A1-02-U-03	95ASE1120
		5 m	CS-A1-02-U-05	95ASE1130
		10 m	CS-A1-02-U-10	95ASE1140
		15 m	CS-A1-02-U-15	95ASE1150
		25 m	CS-A1-02-U-25	95ASE1160
	4-pole, black	Connector- not cabled	CS-A1-02-B-NC	G5085002
Radial M12 Connector	4-pole, black	Connector- not cabled	CS-A2-02-B-NC	G5085003
Axial M12 Connector	5-pole, L coded power cable	3 m	CS-M1-02-B-03	95ACC0007
Axial M12 F/M12 M Connector	4-pole, double headed	3 m	CS-I1-02-B-03	95ACC0009

00,11/2021

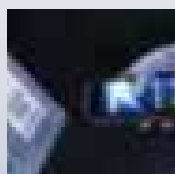
## DATALOGIC PRODUCT OFFERING



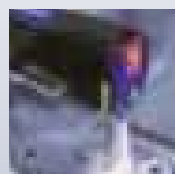
Sensors



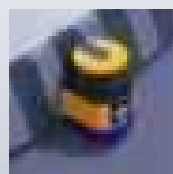
Hand Held scanners



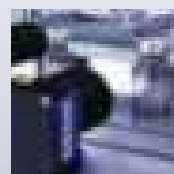
Mobile Computers



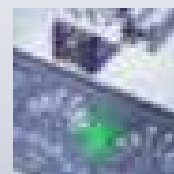
Laser Marking Systems



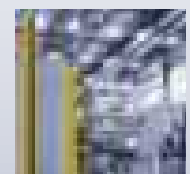
Safety Laser Scanner



Vision Systems



Stationary Industrial Scanners



Safety Light Curtains