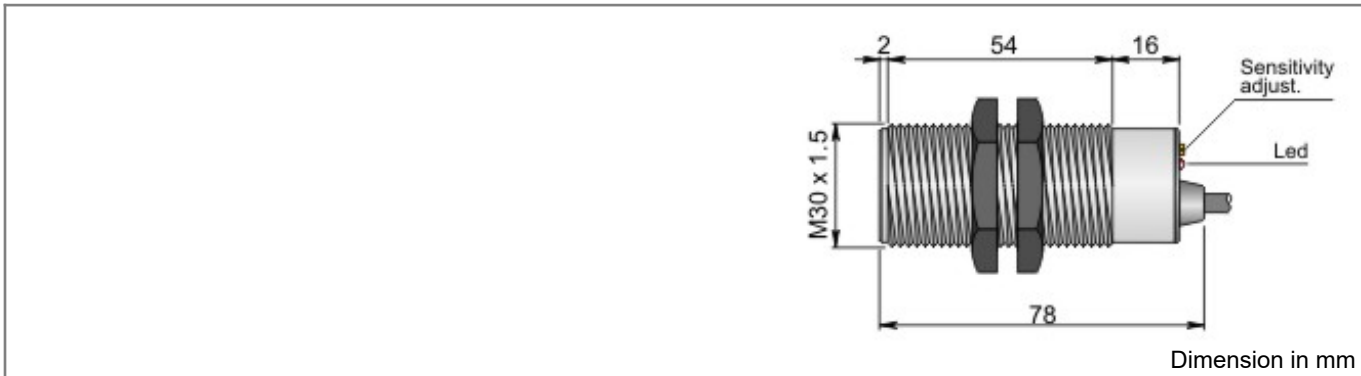


**Part number: C3000016 - Model: SC30SP-C20 PNP NO+NC**



**TECHNICAL CHARACTERISTICS**

|                             |                                   |
|-----------------------------|-----------------------------------|
| Working voltage:            | 10 ÷ 55 Vdc                       |
| Output type:                | DC PNP                            |
| Function:                   | NO+NC                             |
| Actuation type:             | Instantaneous                     |
| Sensing distance (mm):      | 0 ÷ 20 (adjustable)               |
| Hysteresis (%Sn):           | Depends on the switching distance |
| Max switching frequency:    | 10 Hz                             |
| Repeatability (%Sn):        | < 1                               |
| Max output current:         | 300 mA                            |
| Absorption:                 | < = 10 mA @ 24Vdc                 |
| Voltage drop:               | < 1.8 V                           |
| Short circuit protection:   | Present                           |
| Led indicator:              | Present                           |
| Shielding:                  | Embeddable                        |
| Mechanical characteristics: | M30x1.5                           |
| Housing material:           | Plastic                           |
| Connection type:            | Cable 3 m                         |
| Cable type:                 | 4x0.25 PVC                        |
| Temperature limits:         | -20 ÷ +70 °C                      |
| IP rating:                  | IP 67                             |
| Weight:                     | 260 g                             |



Part number: C3000016 - Model: SC30SP-C20 PNP NO+NC

## WIRING DIAGRAM

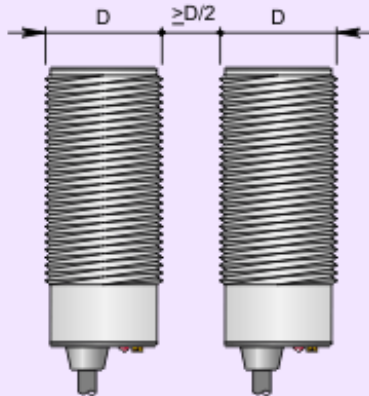
### 4 WIRES CABLE - LOGIC PNP NO+NC



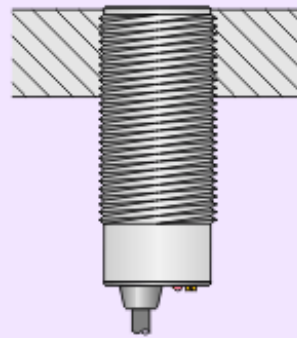
## INSTRUCTIONS FOR CORRECT INSTALLATION

### INSTRUCTIONS FOR CORRECT INSTALLATION

#### EMBEDDABLE



Side by side mounting



Flush mounting